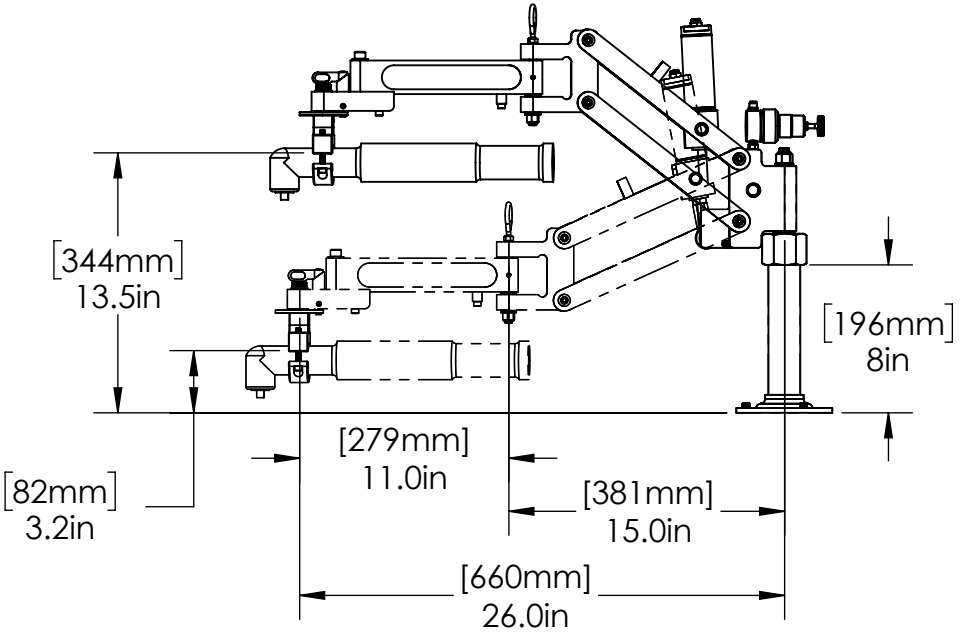
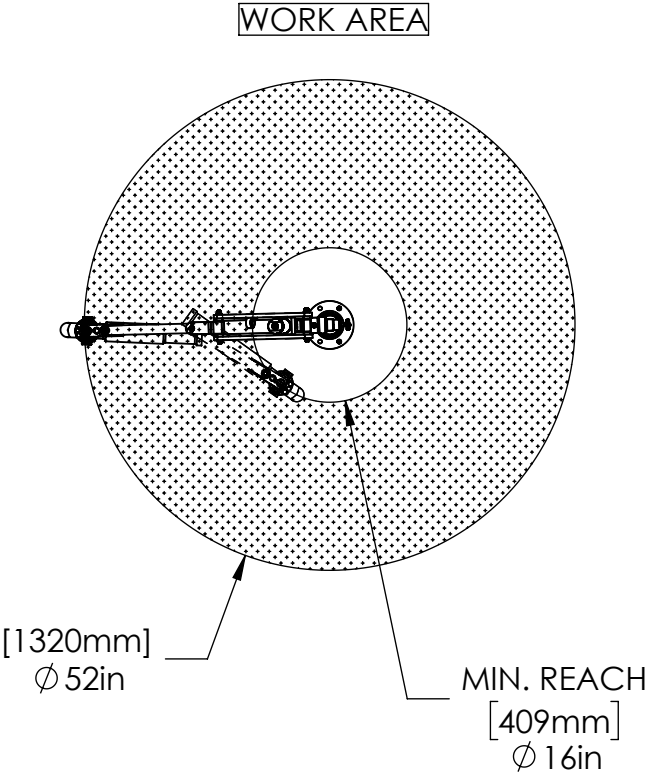


SEE PAGE 2 FOR
TOOL-HOLDER
DETAILS



MODEL#: EL315-RAV

TOOL HOLDER RAV-TH INCLUDED

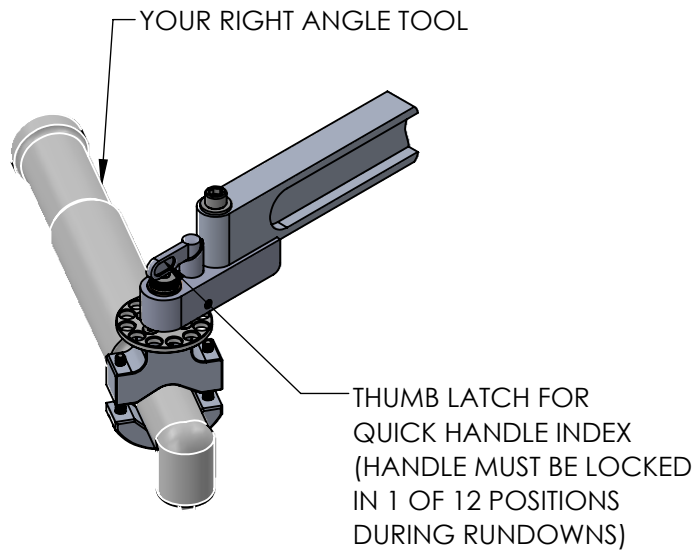
A shortened version of EL815-RAV with less reach for tighter spaces. For VERTICAL Fastening with customer's Electric Right AngleTool. RAV-TH has indexable handle positions.

MAX TORQUE: 800 in-lbs (90 Nm)

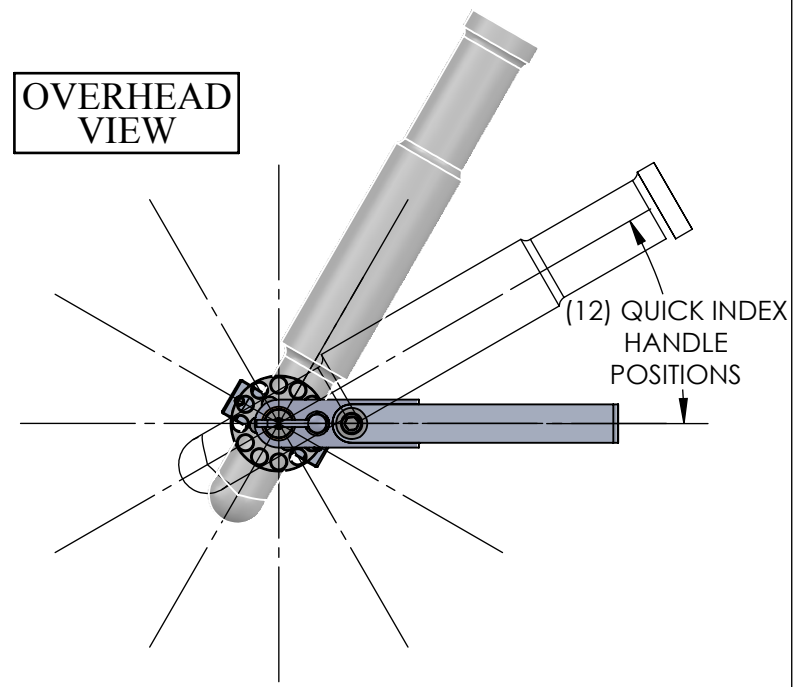
MAX. TOOLING WEIGHT: 11.25 lbs (5.1 kg)

COPYRIGHT © 2018 ERGONOMIC TOOL ARMS, LLC

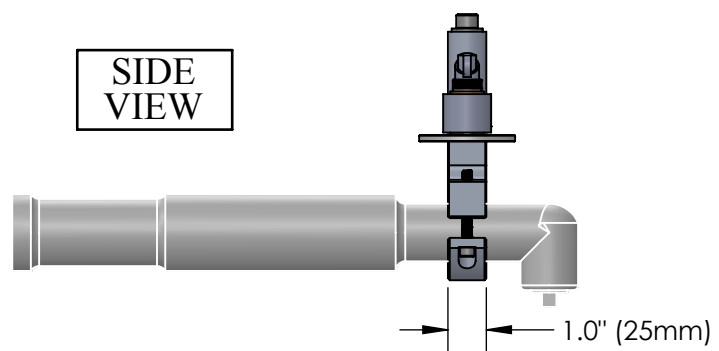




OVERHEAD VIEW

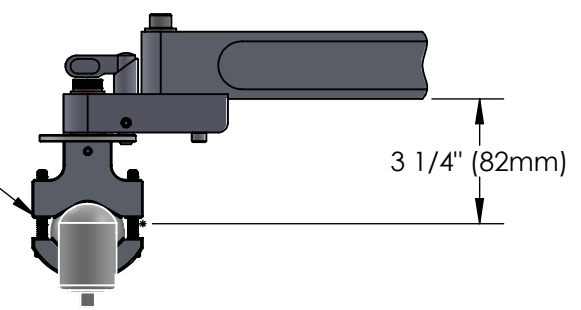


SIDE VIEW



MINIMUM TOOL DIAMETER:
1-1/8" (28.6mm)
MAXIMUM TOOL DIAMETER:
2.0" (50.8mm)

FRONT VIEW



COPYRIGHT © 2017 ERGONOMIC TOOL ARMS, LLC

Model **RAV-TH**
Right Angle Vertical Tool Holder
FOR VERTICAL FASTENING

THIS DRAWING CONTAINS CONFIDENTIAL INFORMATION, IS THE PROPERTY OF ERGONOMIC TOOL ARMS, LLC AND IS GIVEN TO THE RECEIVER IN CONFIDENCE. THE RECEIVER BY RECEPTION AND RETENTION OF THIS DRAWING, ACCEPTS THE DRAWING IN CONFIDENCE AND AGREES THAT IT WILL NOT USE THE DRAWING OR A COPY THEREOF OR THE CONFIDENTIAL INFORMATION IT CONTAINS FOR THE PURPOSES OTHER THAN THAT INSTRUCTED BY ERGONOMIC TOOL ARMS, LLC, EITHER WRITTEN OR IMPLIED. THE RECEIVER AGREES, BY ACCEPTANCE AND RETENTION TO BE HELD LIABLE FOR MISUSE OF THIS DRAWING OR THE INFORMATION IT CONTAINS.