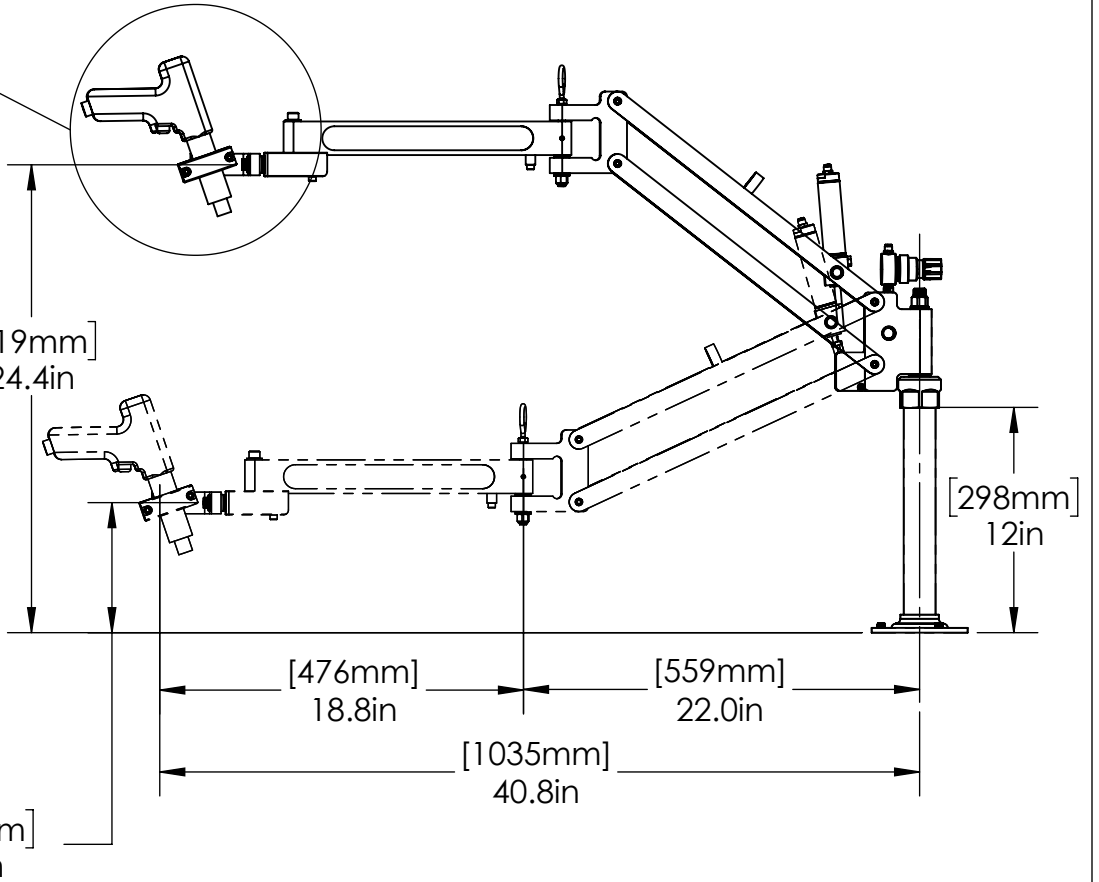
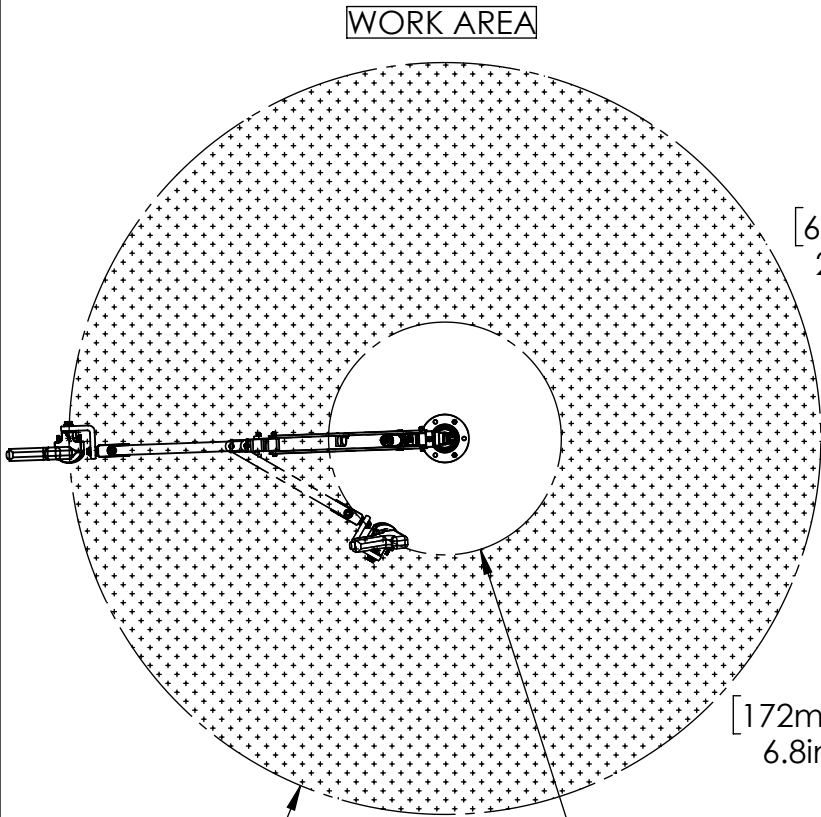
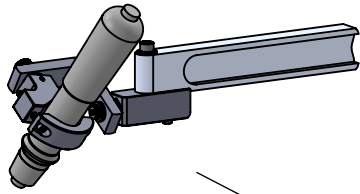


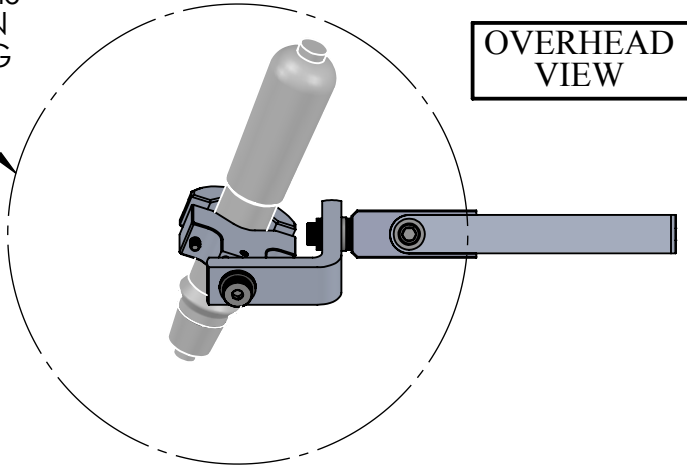
SEE PAGES 2&3 FOR
TOOL-HOLDER DETAILS



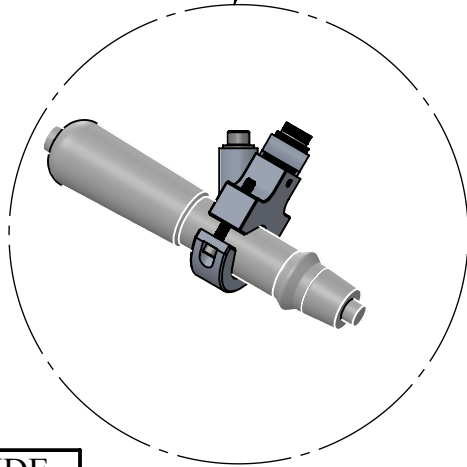
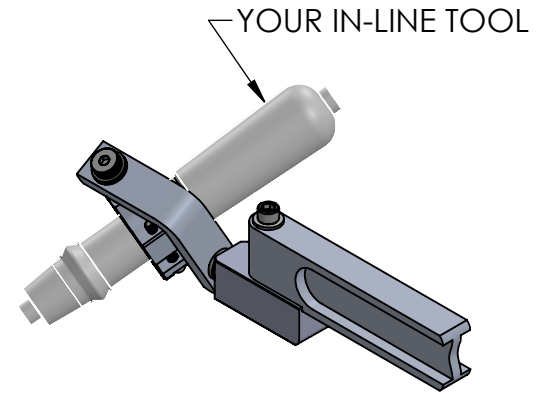
MODEL#: EL506-FR
TOOL HOLDER INCLUDED, FR-TH
For Fastening with customer's Electric In-line or Pistol Tool at any angle, Vertical to Horizontal
MAX TORQUE: 275 in-lbs (31 N-m)
MAX. TOOLING WEIGHT: 4.6 LBS (2.1 KG)
COPYRIGHT © 2018 ERGONOMIC TOOL ARMS, LLC



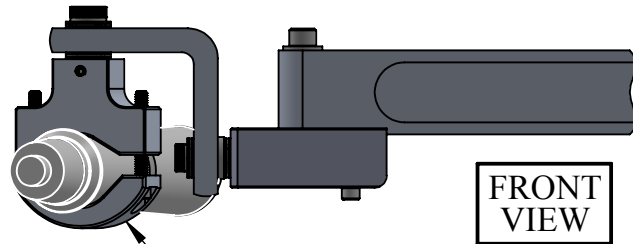
TOOL SWIVELS FREELY ON (2) AXIS
ENABLING OPERATOR TO FASTEN
AT ANY ANGLE WITHOUT FEELING
ANY TORQUE REACTION



OVERHEAD
VIEW



SIDE
VIEW



FRONT
VIEW

MINIMUM TOOL DIAMETER:
1-1/8" (28.6mm)
MAXIMUM TOOL DIAMETER:
2.0" (50.8mm)



COPYRIGHT © 2017 ERGONOMIC TOOL ARMS, LLC

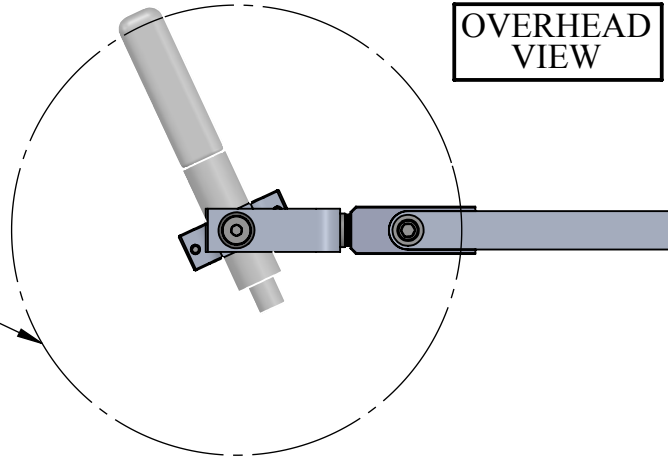
Model **FR-TH**
Flip & Rotate Tool Holder

FOR VERTICAL OR HORIZONTAL FASTENING FOR IN-LINE OR PISTOL TOOL

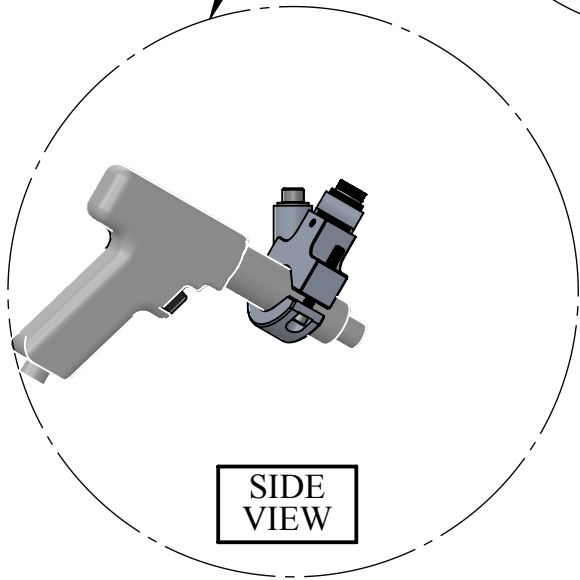
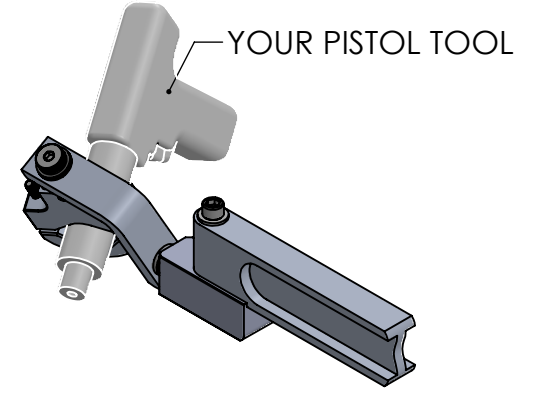
THIS DRAWING CONTAINS CONFIDENTIAL INFORMATION, IS THE PROPERTY OF ERGONOMIC TOOL ARMS, LLC AND IS GIVEN TO THE RECEIVER IN CONFIDENCE. THE RECEIVER BY RECEPTION AND RETENTION OF THIS DRAWING, ACCEPTS THE DRAWING IN CONFIDENCE AND AGREES THAT IT WILL NOT USE THE DRAWING OR A COPY THEREOF OR THE CONFIDENTIAL INFORMATION IT CONTAINS FOR THE PURPOSES OTHER THAN THAT INSTRUCTED BY ERGONOMIC TOOL ARMS, LLC, EITHER WRITTEN OR IMPLIED. THE RECEIVER AGREES, BY ACCEPTANCE AND RETENTION TO BE HELD LIABLE FOR MISUSE OF THIS DRAWING OR THE INFORMATION IT CONTAINS.



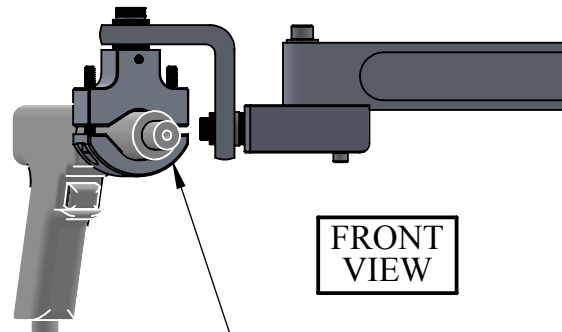
TOOL SWIVELS FREELY ON (2) AXIS
 ENABLING OPERATOR TO FASTEN
 AT ANY ANGLE WITHOUT FEELING
 ANY TORQUE REACTION



OVERHEAD
 VIEW



SIDE
 VIEW



FRONT
 VIEW

MINIMUM TOOL DIAMETER:
 1-1/8" (28.6mm)
 MAXIMUM TOOL DIAMETER:
 2.0" (50.8mm)

COPYRIGHT © 2017 ERGONOMIC TOOL ARMS, LLC

Model **FR-TH**
Flip & Rotate Tool Holder

FOR VERTICAL OR HORIZONTAL FASTENING FOR IN-LINE OR PISTOL TOOL

THIS DRAWING CONTAINS CONFIDENTIAL INFORMATION, IS THE PROPERTY OF ERGONOMIC TOOL ARMS, LLC AND IS GIVEN TO THE RECEIVER IN CONFIDENCE. THE RECEIVER BY RECEPTION AND RETENTION OF THIS DRAWING, ACCEPTS THE DRAWING IN CONFIDENCE AND AGREES THAT IT WILL NOT USE THE DRAWING OR A COPY THEREOF OR THE CONFIDENTIAL INFORMATION IT CONTAINS FOR THE PURPOSES OTHER THAN THAT INSTRUCTED BY ERGONOMIC TOOL ARMS, LLC, EITHER WRITTEN OR IMPLIED. THE RECEIVER AGREES, BY ACCEPTANCE AND RETENTION TO BE HELD LIABLE FOR MISUSE OF THIS DRAWING OR THE INFORMATION IT CONTAINS.