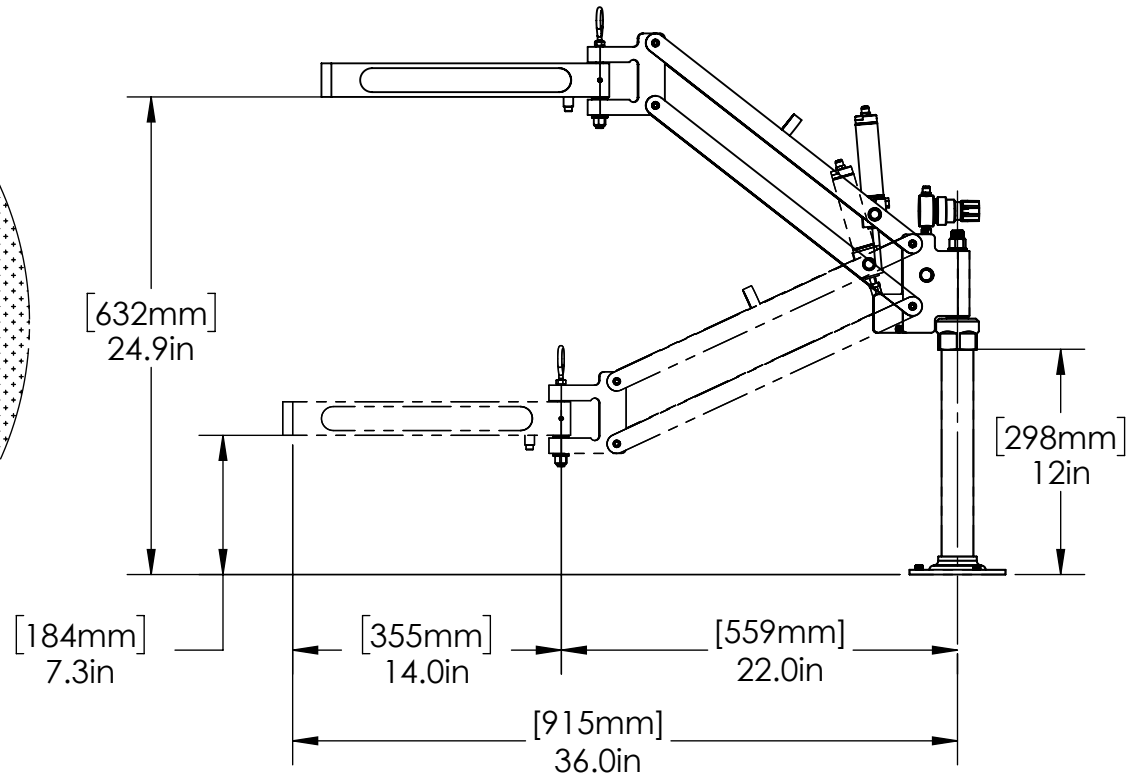
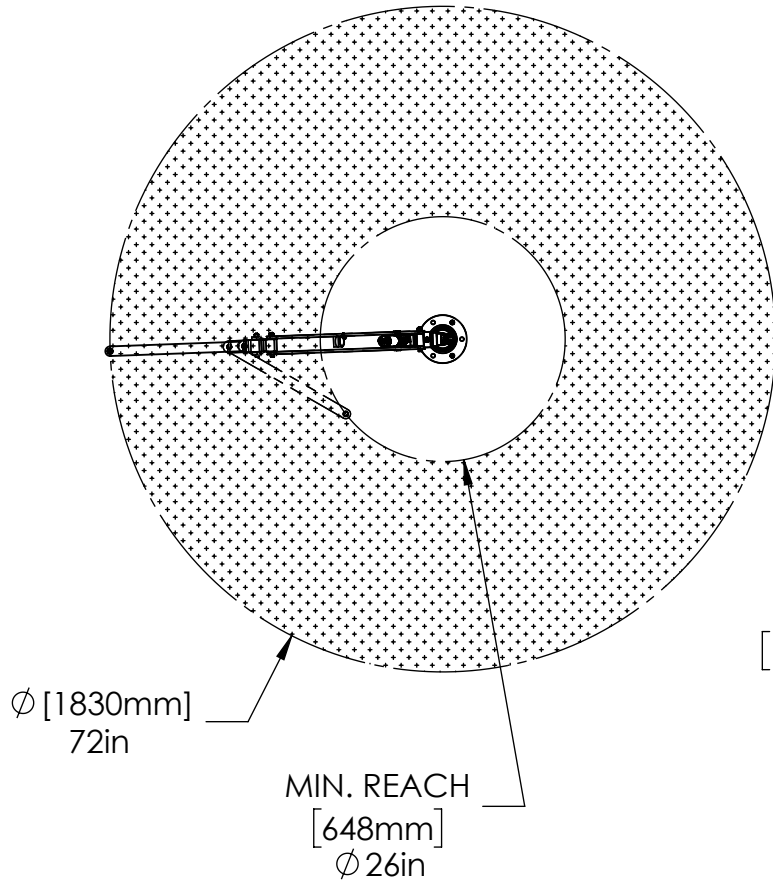


**WORK AREA**



www.toolarms.com



MODEL#: EL506-N

Basic Tool Arm without Tool Holder - for use with custom tool holder or fixture. Any standard ETA tool holders fit this arm

MAX TORQUE: 550 in-lbs (62 N-m)

MAX. TOOLING WEIGHT: 6 LBS (2.7 KG)

COPYRIGHT © 2018 ERGONOMIC TOOL ARMS, LLC