

VERTICAL FASTENING

NEW from

www.toolarms.com



Torque Arms built just for IR QX DC Cordless Pistol Tools

Turn your QX Pistol DC Screwdriver into a
VERTICAL IN-LINE ASSEMBLY STATION.

- ✓ Holds the tool perfectly upright.
- ✓ Eliminates torque reaction.
- ✓ Tool floats practically weightless.
- ✓ Remote start hand grip rotates 360° making movement quick and comfortable.
- ✓ ETA Comfort Trigger requires much less effort than QX trigger.
- ✓ This holder is robust, allowing operator to apply as much thrust as needed.
- ✓ Allows full access to QX Program Buttons, Screen, USB Port, Reverse Buttons and Battery Exchange without removing tool from holder.



The IR QX Series DC Tools are truly innovative technology at a very low cost. But sometimes a hand held portable pistol tool is not the best choice for vertical fastening at bench height and above. But now with ETA model # **EL815-QXP** and **EL315-QXP** torque arms, you can use your QX Pistol like an in-line bench or work cell system for vertical fastening. Our QXP Tool Holder was designed to optimize productivity and ergonomics using IR's model QXC, QXX or the new QXN cordless pistol tools without any modification. Two bolts hold the QX tool in the ETA holder, making installation quick and simple. We mounted a tiny air cylinder with a profiled trigger cradle on the inside of our QX Tool Support so that our remote hand grip's comfort trigger will operate the tool the same as if you were pulling the tool's trigger with your finger, but with *much more comfort* and *much less effort* than trying to use the tool freehand. And since our hand grip and comfort trigger rotate freely on bearings, you can glide effortlessly from fastener to fastener without changing your grip or twisting your wrist.

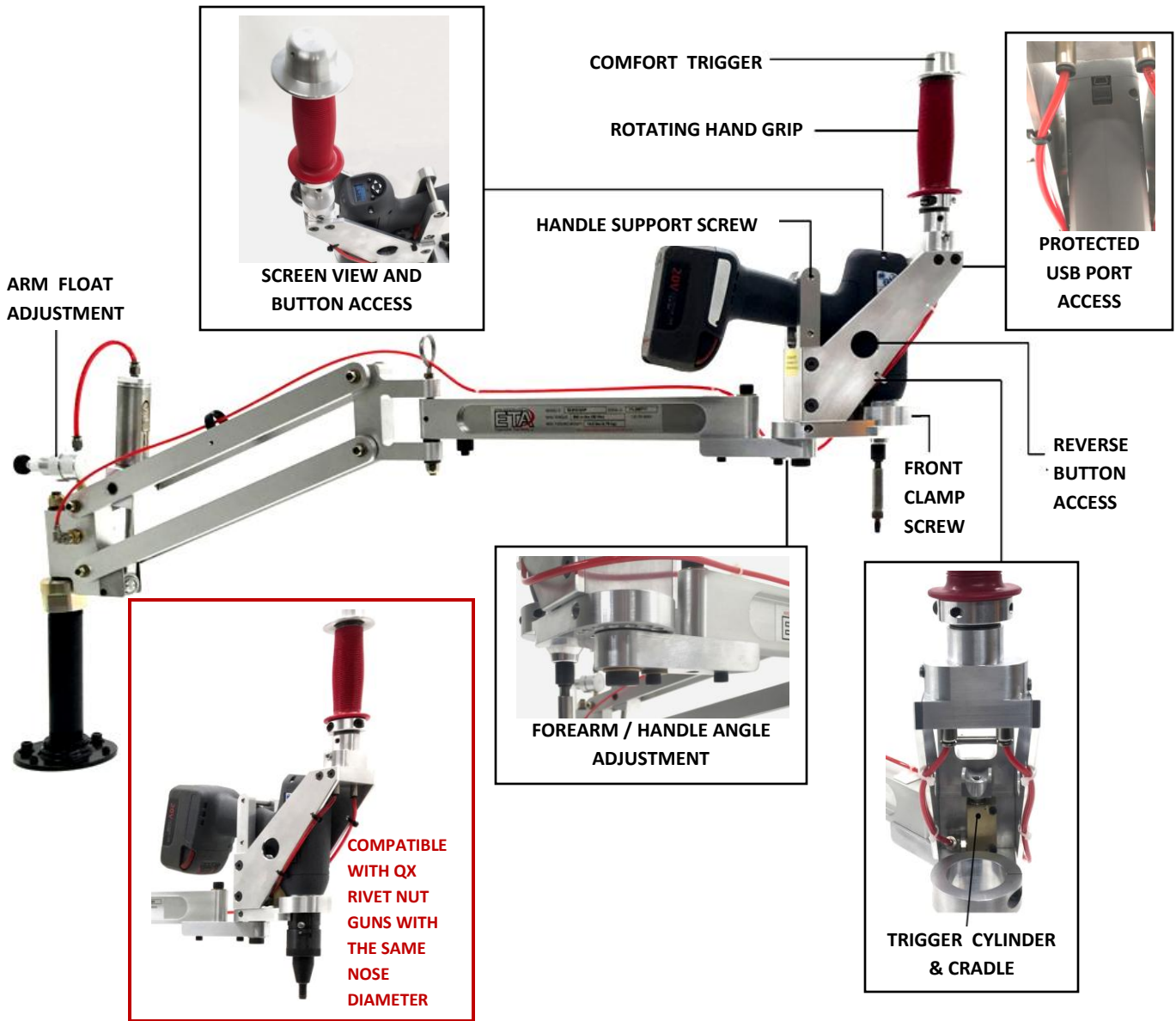
We also offer these arm models as Smart-Arms with position feedback.

THIS IS A GAME-CHANGER.....You Have to Try This !

IR QX DC Pistol Screwdriver combined with ETA model EL815-QXP Torque Arm !

ETA arms are available through Authorized ETA Distributors.

ETA Torque Arms turn your QX Pistol DC Screwdriver into a VERTICAL IN-LINE ASSEMBLY STATION.



STANDARD MODELS	EL815-QXP	EL315-QXP
Max. Tool & Battery Weight	10.5 lbs (4.75 Kg)	
Fastening Direction	VERTICAL	
REACH Min. Holder Angle	37 in. (940mm)	25 in. (635mm)
REACH Max. Holder angle	40 in. (1,015mm)	28 in. (711mm)
Vertical Travel	17.7 in. (450mm)	10.3 in. (262 mm)
Max Torque	800 in lbs (90 Nm)	

Also available as Smart Arm models EL815-QXP-__ SA and EL315-QXP-__ SA with position feedback.

All Ergonomic Tool Arms now have a 5 year warranty against excessive wear! See Warranty for details.

