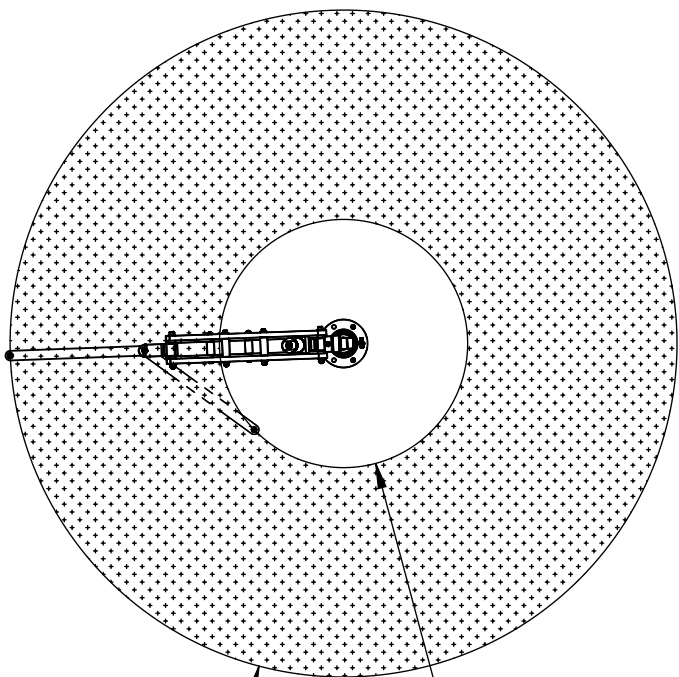


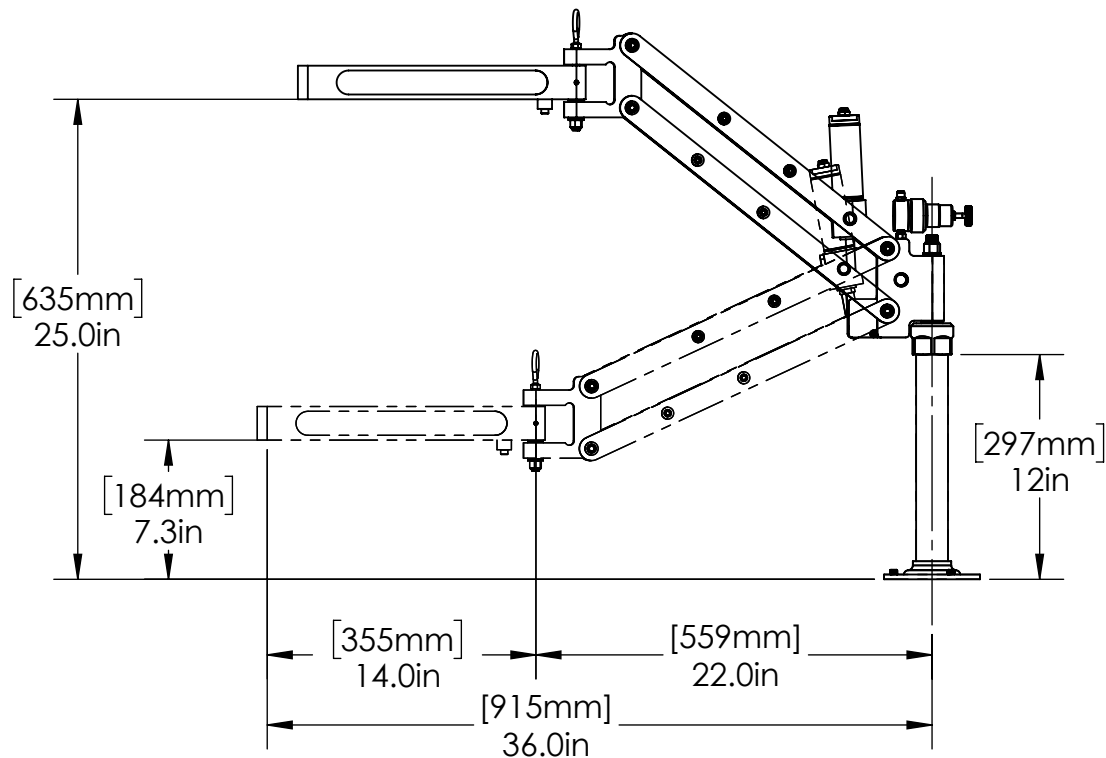
WORK AREA



[1830mm]
Ø 72in

MIN. REACH

[657mm]
Ø 26in



MODEL#: PA1015-(B125)

Extra Heavy Duty Arm has thick Parallels with cross ties for even more rigidity and a larger diameter Shoulder Pin and Bearings than the 815 frame. Standard B125 Base. Use with customer Air Tools. 3/8" ID Tool Supply hose with 3/8" & 1/4" NPT tool connections included.

MAX TORQUE (VERT): 1100 in-lbs (125 N-m)

MAX TORQUE (HORZ): 600 in-lbs (68 N-m)

MAX. TOOLING WEIGHT: 14 lbs (6.3 kg)

COPYRIGHT © 2018 ERGONOMIC TOOL ARMS, LLC

www.toolarms.com

ETA
Ergonomic Tool Arms, LLC