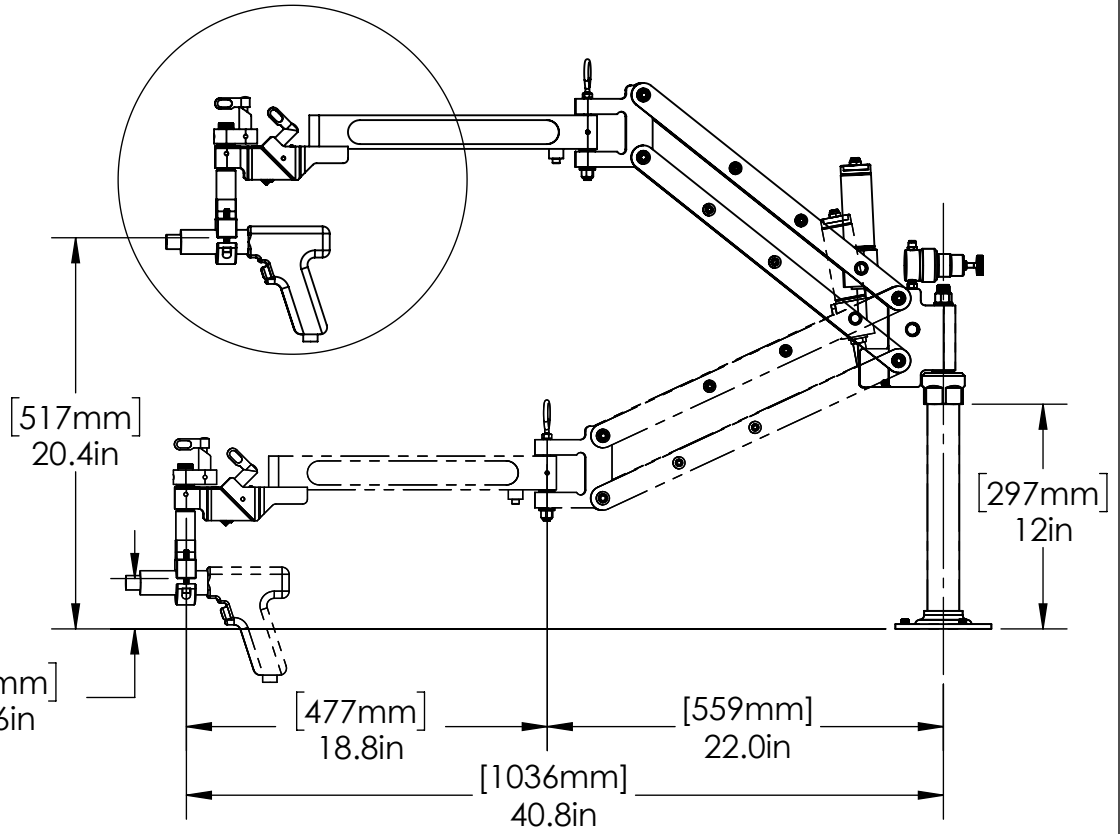
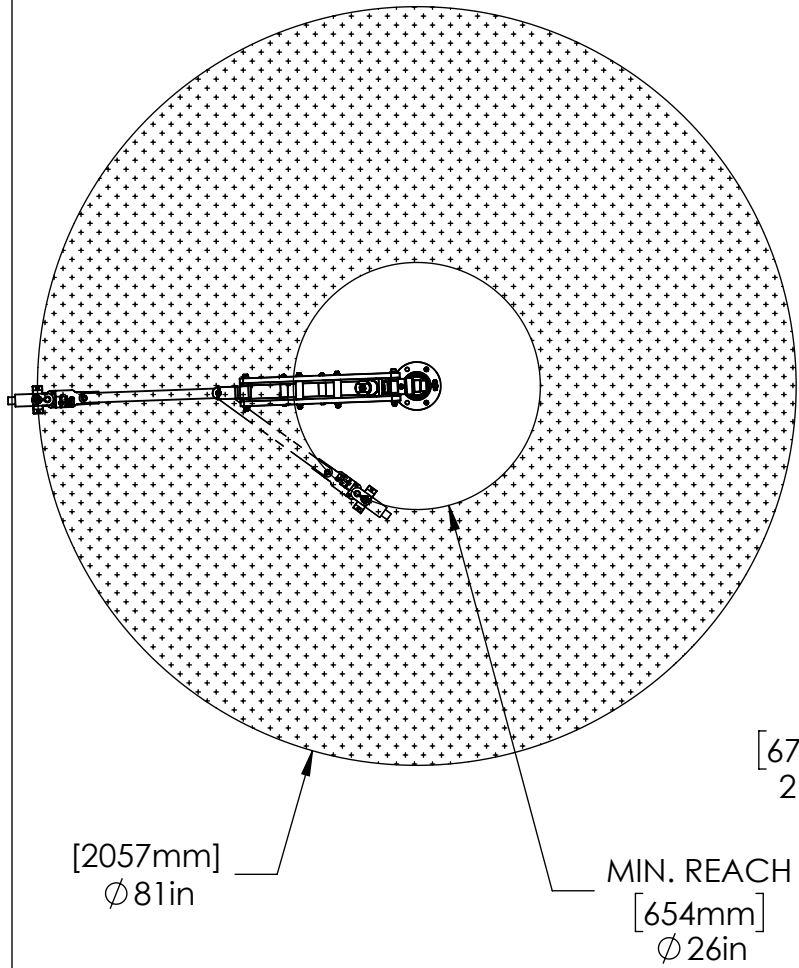


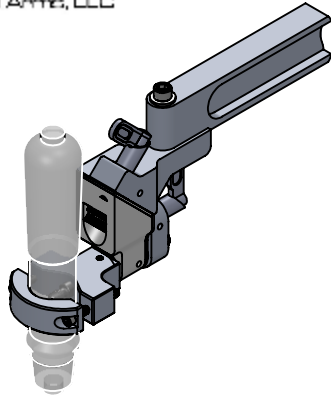
WORK AREA

SEE PAGE 2 FOR
TOOL-HOLDER
DETAILS

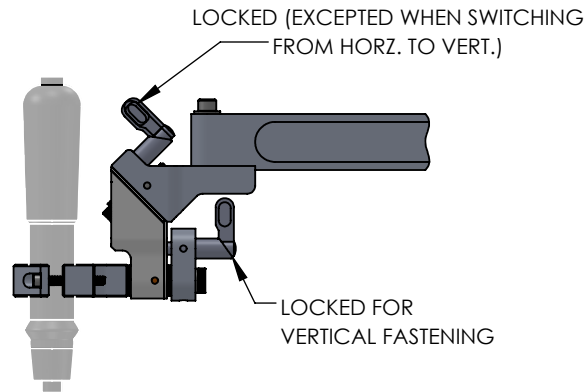


MODEL#: PA1015-IPHV
TOOL-HOLDER INCLUDED: IPHV-TH
Extra Heavy Duty Arm with tool holder that locks in both HORIZONTAL and VERTICAL positions for customer's In-Line or Pistol Air Tool. 3/8" ID Tool Hose.
MAX TORQUE VERTICAL: 800 in-lbs (90 N-m) HORIZONTAL: 600 in-lbs (68 N-m)
MAX. TOOLING WEIGHT: 11 lbs (5 kg)
COPYRIGHT © 2018 ERGONOMIC TOOL ARMS, LLC

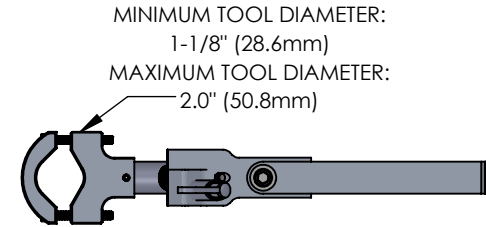




THUMB LATCHES



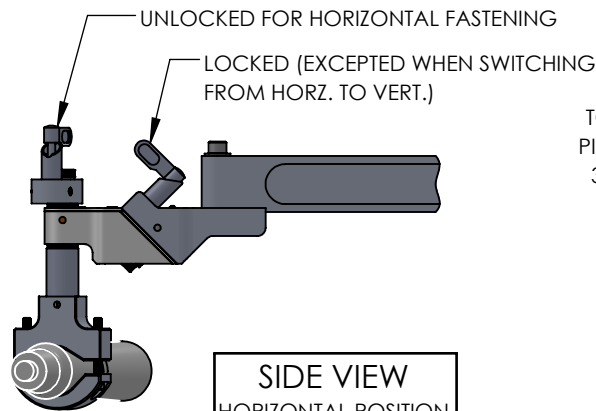
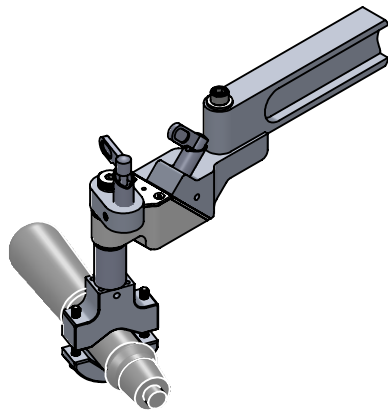
SIDE VIEW
VERTICAL POSITION



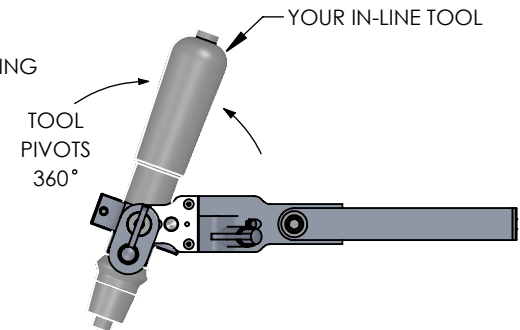
MINIMUM TOOL DIAMETER:
1-1/8" (28.6mm)
MAXIMUM TOOL DIAMETER:
2.0" (50.8mm)

OVERHEAD VIEW
VERTICAL POSITION

THUMB LATCHES



SIDE VIEW
HORIZONTAL POSITION



OVERHEAD VIEW
HORIZONTAL POSITION

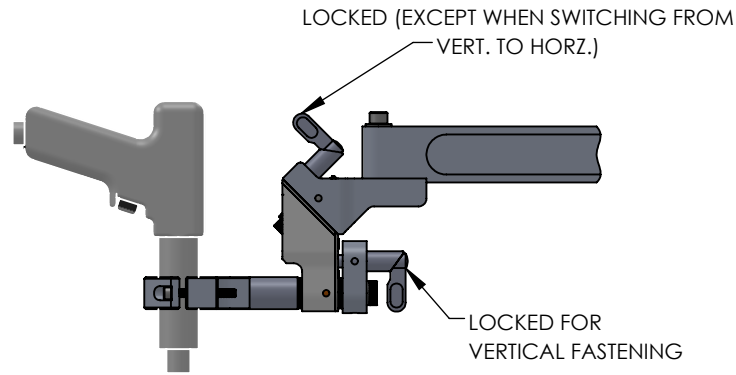
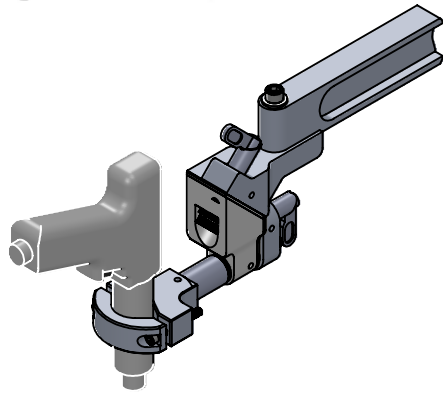
COPYRIGHT © 2017 ERGONOMIC TOOL ARMS, LLC

Model **IPHV-TH**
In-Line or Pistol Horizontal & Vertical Tool Holder
FOR HORIZONTAL & VERTICAL FASTENING WITH SAME ARM

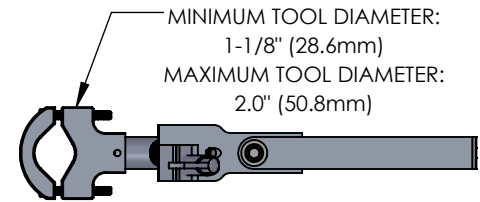
THIS DRAWING CONTAINS CONFIDENTIAL INFORMATION, IS THE PROPERTY OF ERGONOMIC TOOL ARMS, LLC AND IS GIVEN TO THE RECEIVER IN CONFIDENCE. THE RECEIVER BY RECEPTION AND RETENTION OF THIS DRAWING, ACCEPTS THE DRAWING IN CONFIDENCE AND AGREES THAT IT WILL NOT USE THE DRAWING OR A COPY THEREOF OR THE CONFIDENTIAL INFORMATION IT CONTAINS FOR THE PURPOSES OTHER THAN THAT INSTRUCTED BY ERGONOMIC TOOL ARMS, LLC, EITHER WRITTEN OR IMPLIED. THE RECEIVER AGREES, BY ACCEPTANCE AND RETENTION TO BE HELD LIABLE FOR MISUSE OF THIS DRAWING OR THE INFORMATION IT CONTAINS.



THUMB LATCHES

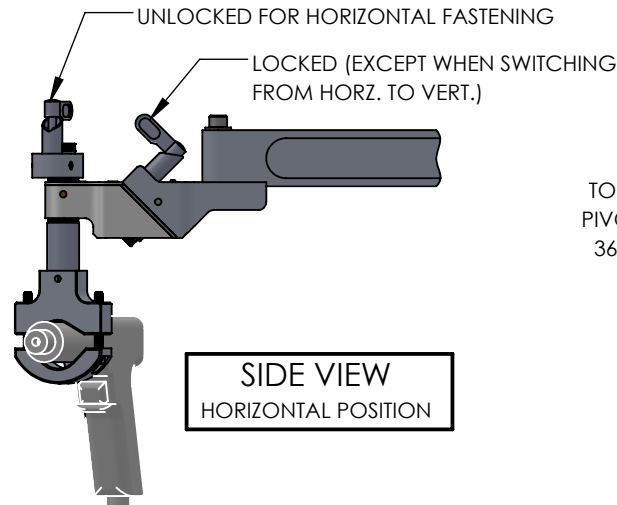
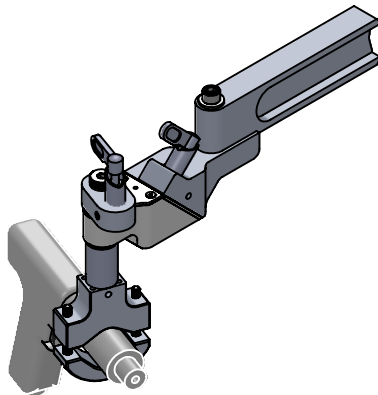


SIDE VIEW
VERTICAL POSITION

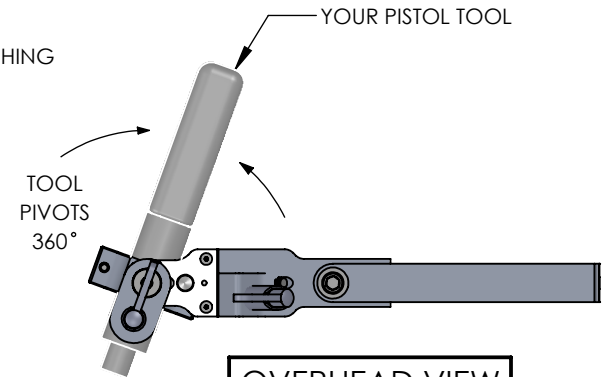


OVERHEAD VIEW
VERTICAL POSITION

THUMB LATCHES



SIDE VIEW
HORIZONTAL POSITION



OVERHEAD VIEW
HORIZONTAL POSITION

COPYRIGHT © 2017 ERGONOMIC TOOL ARMS, LLC

Model **IPHV-TH**
In-Line or Pistol Horizontal & Vertical Tool Holder
 FOR HORIZONTAL & VERTICAL FASTENING WITH SAME ARM

THIS DRAWING CONTAINS CONFIDENTIAL INFORMATION, IS THE PROPERTY OF ERGONOMIC TOOL ARMS, LLC AND IS GIVEN TO THE RECEIVER IN CONFIDENCE. THE RECEIVER BY RECEPTION AND RETENTION OF THIS DRAWING, ACCEPTS THE DRAWING IN CONFIDENCE AND AGREES THAT IT WILL NOT USE THE DRAWING OR A COPY THEREOF OR THE CONFIDENTIAL INFORMATION IT CONTAINS FOR THE PURPOSES OTHER THAN THAT INSTRUCTED BY ERGONOMIC TOOL ARMS, LLC, EITHER WRITTEN OR IMPLIED. THE RECEIVER AGREES, BY ACCEPTANCE AND RETENTION TO BE HELD LIABLE FOR MISUSE OF THIS DRAWING OR THE INFORMATION IT CONTAINS.