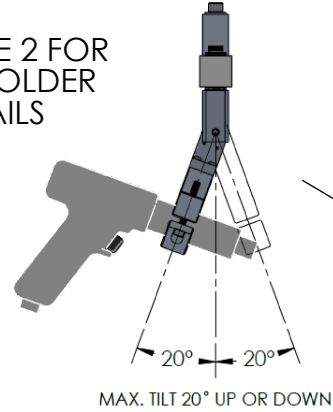
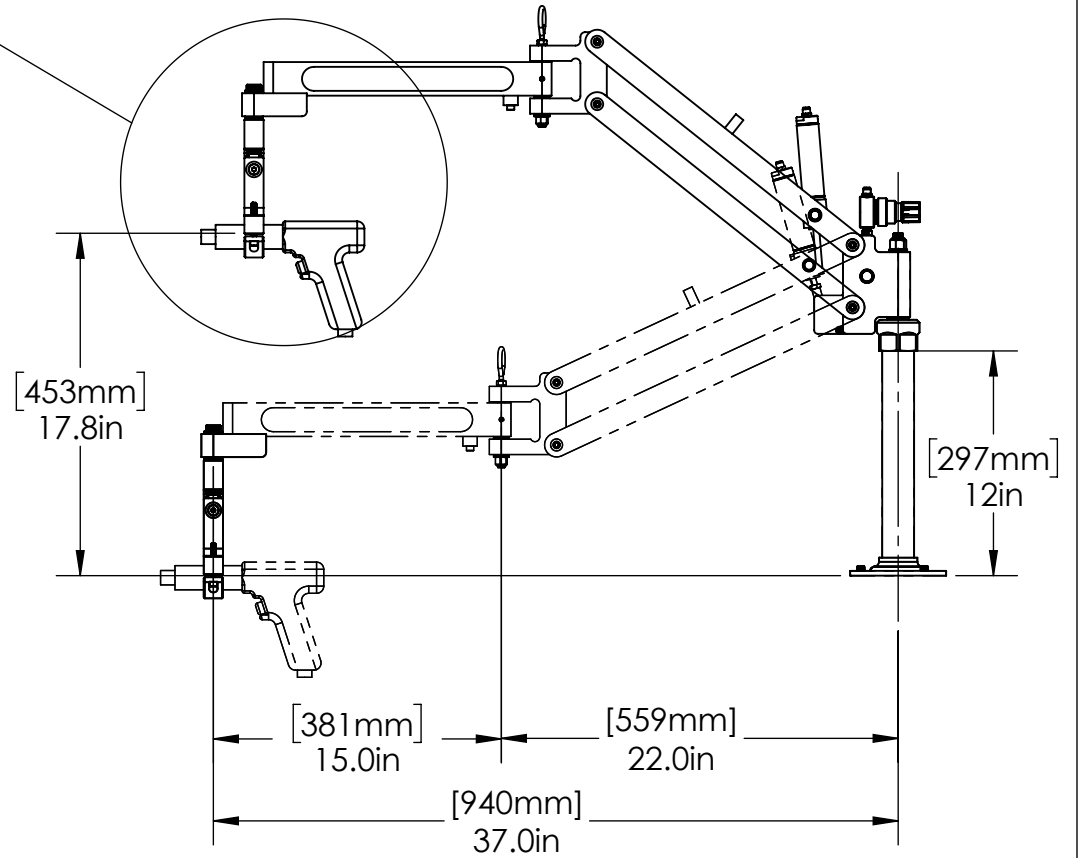
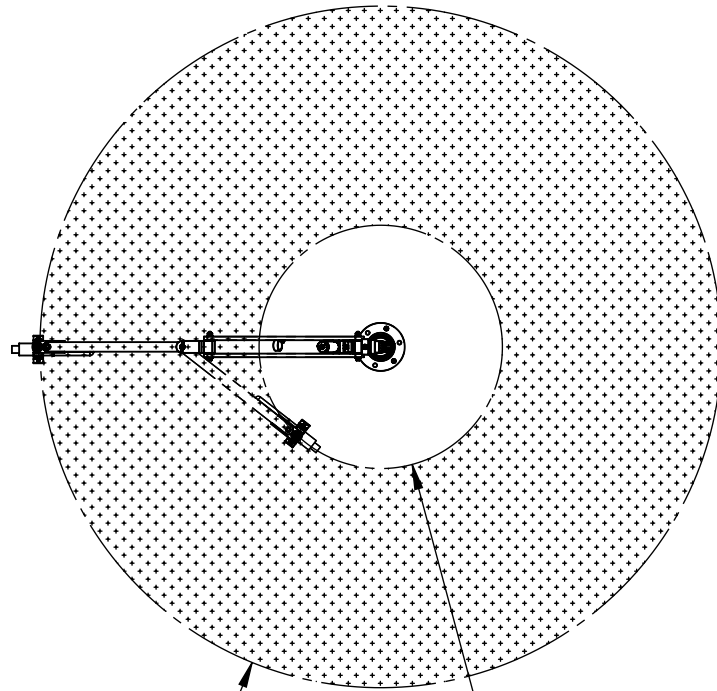


SEE PAGE 2 FOR  
TOOL-HOLDER  
DETAILS



WORK AREA



MODEL#: PA806-PT

TOOL HOLDER INCLUDED, PT-TH

For HORIZONTAL Fastening with customer's In-line or Pistol Air Tool. Allows 20° degrees tilting.

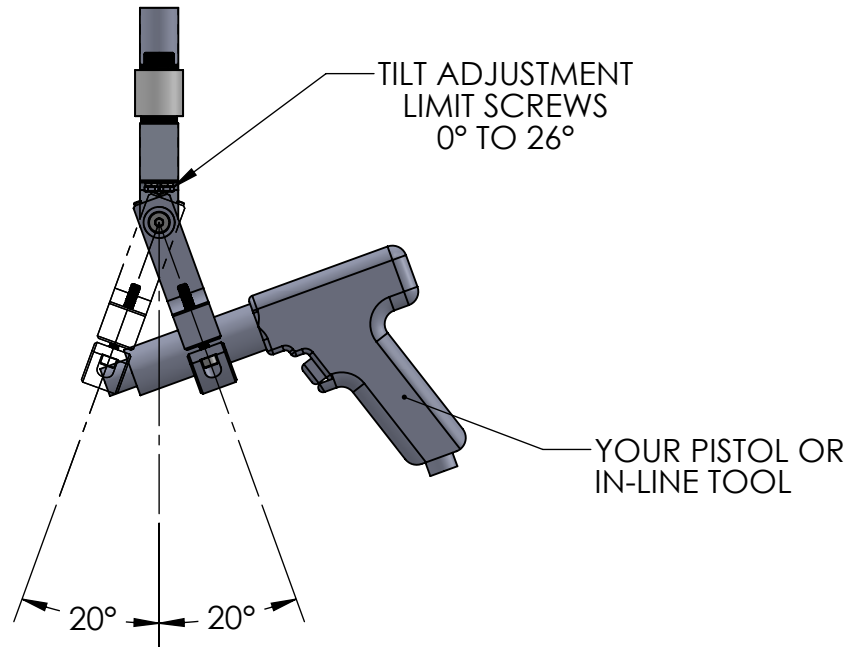
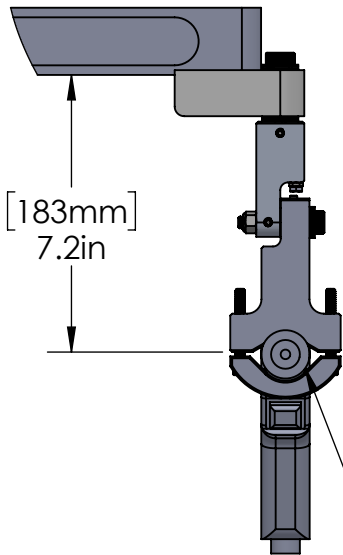
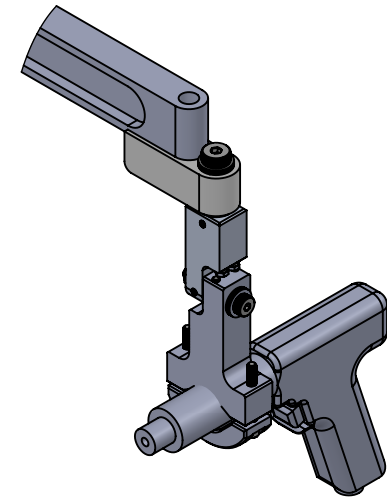
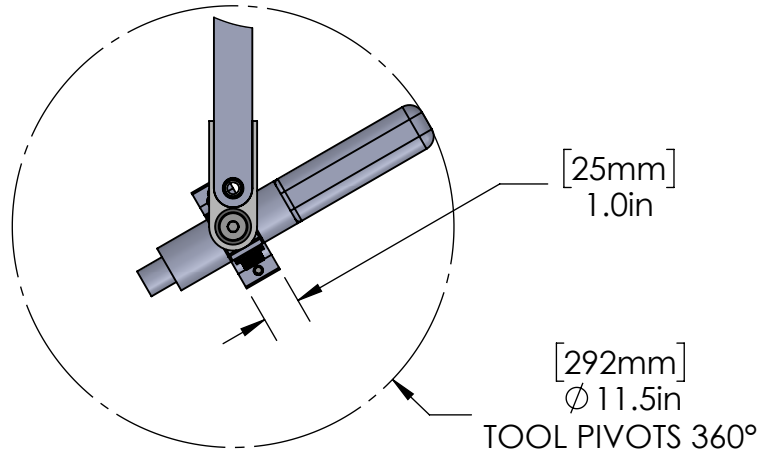
MAX TORQUE: 400 in-lbs (45 N-m)

MAX. TOOLING WEIGHT: 4.8 LBS (2.2 KG)

COPYRIGHT © 2018 ERGONOMIC TOOL ARMS, LLC

www.toolarms.com





MINIMUM TOOL DIA:  
1-1/8" (28.6mm)  
MAXIMUM TOOL DIA:  
2.0" (50.8mm)

www.toolarms.com

Ergonomic Tool Arms, LLC

|  |
|--|
| MODEL#: PT-TH                                    |
| <b>PISTOL TILT TOOL HOLDER</b>                   |
| FOR HORIZONTAL FASTENING, ALLOWS<br>TILTING ±20° |
| COPYRIGHT © 2018 ERGONOMIC TOOL ARMS, LLC        |