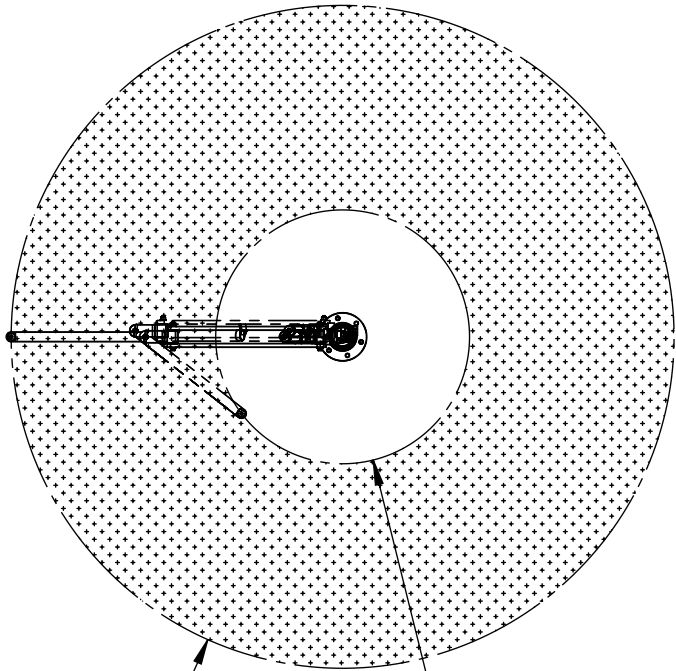
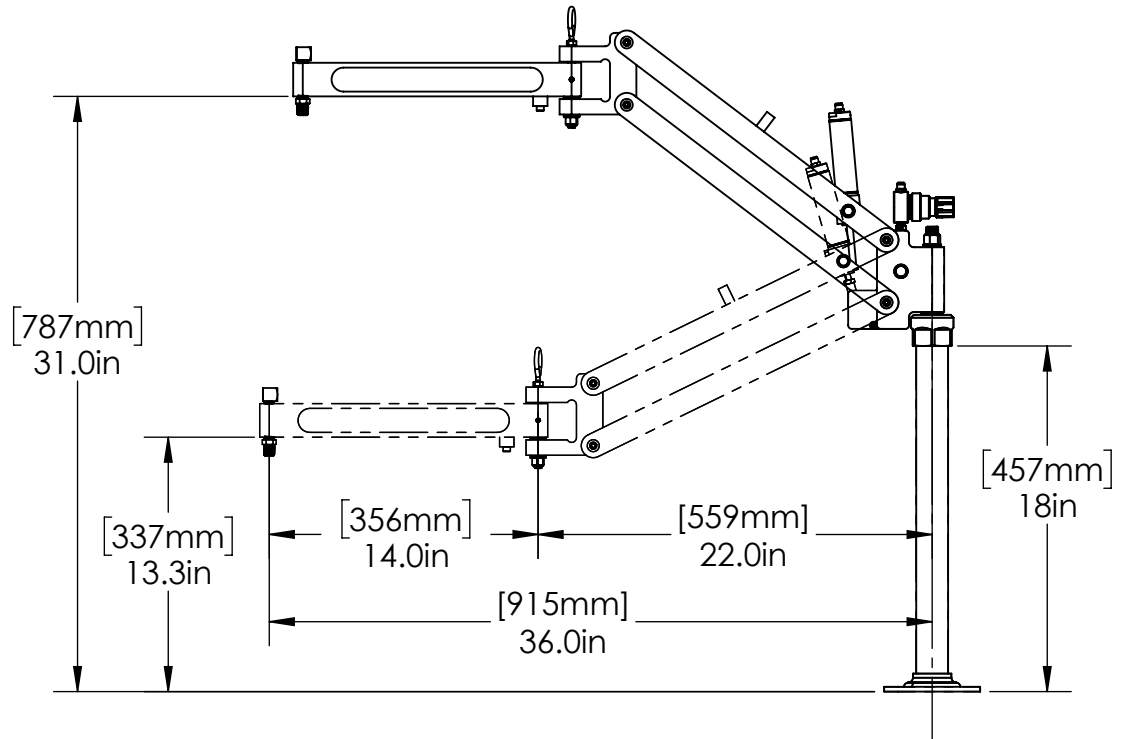


WORK AREA



[1860mm]
Ø 72 in

MIN. REACH
[672mm]
Ø 26in



www.toolarms.com



Ergonomic Tool Arms, LLC

MODEL#: PA806

1/4" NPT TOOL CONNECTION INCLUDED

For VERTICAL Fastening with customer's In-line Air Tool

MAX TORQUE: 800 in-lbs (90 N-m)

MAX. TOOLING WEIGHT: 6 LBS (2.7 KG)

COPYRIGHT © 2018 ERGONOMIC TOOL ARMS, LLC