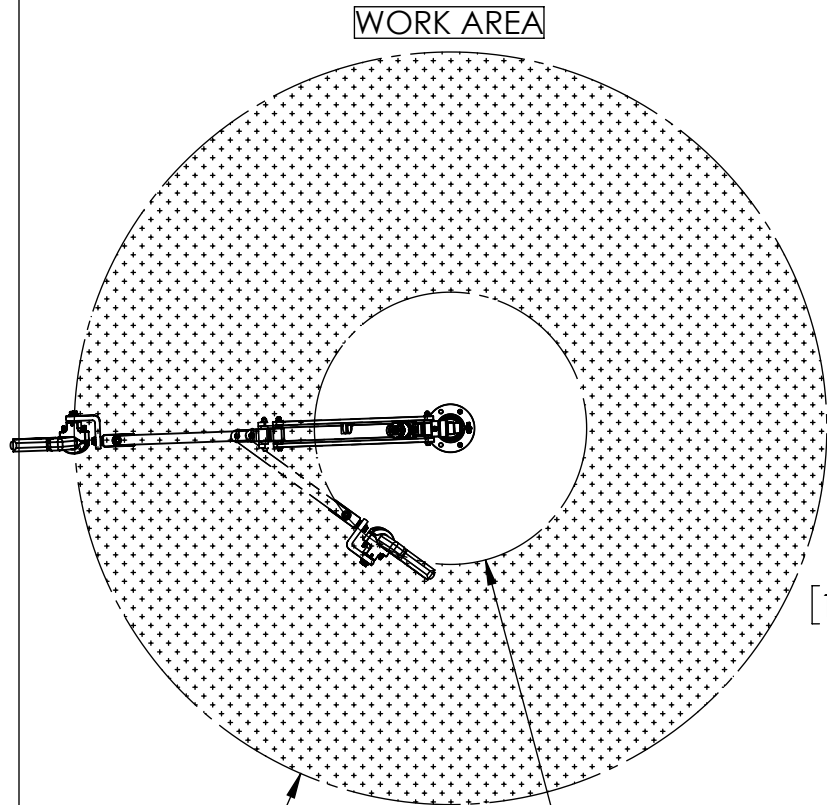
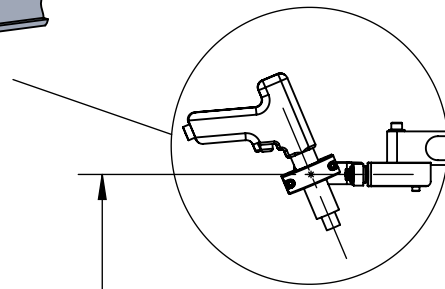
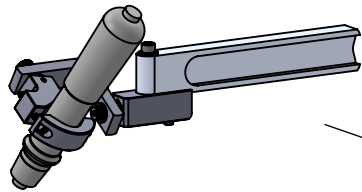


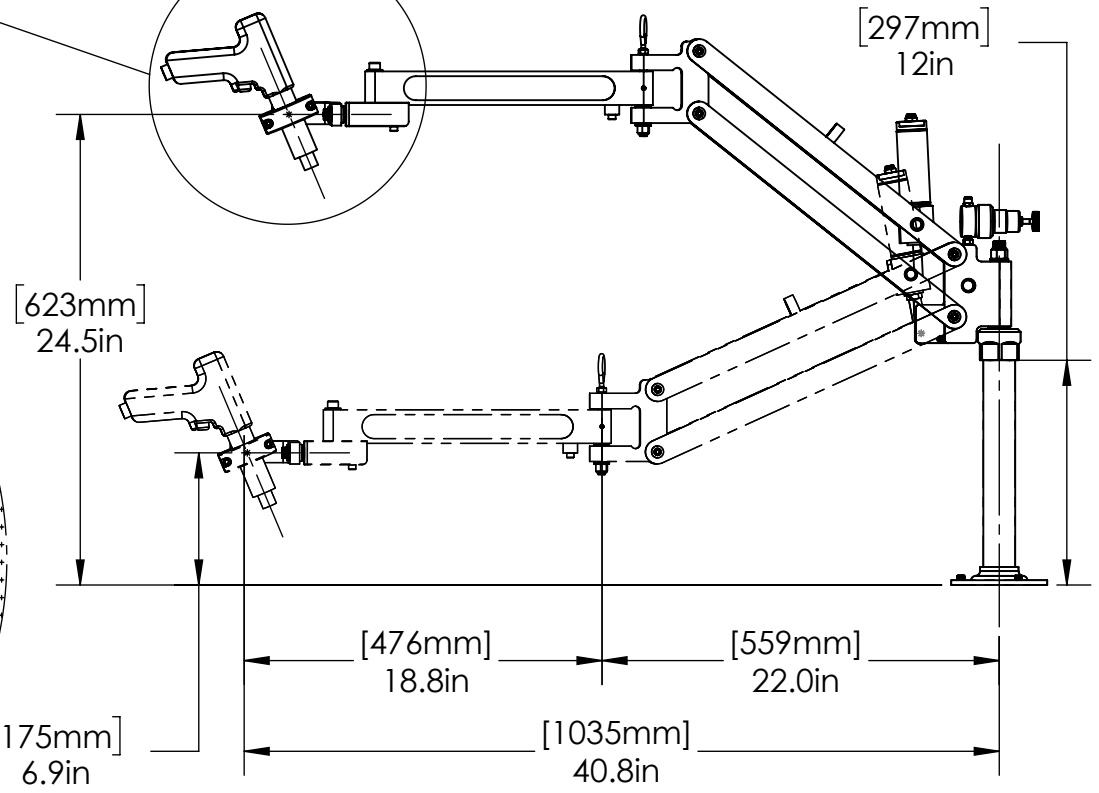
SEE PAGE 2 FOR  
TOOL-HOLDER  
DETAILS



WORK AREA

[2070mm]  
Ø 81.5in

MIN. REACH  
[720mm]  
Ø 28in



[297mm]  
12in

[623mm]  
24.5in

[476mm]  
18.8in

[559mm]  
22.0in

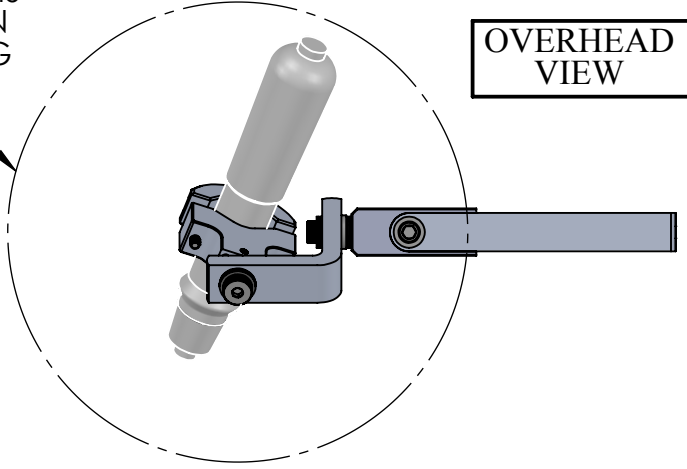
[175mm]  
6.9in

[1035mm]  
40.8in

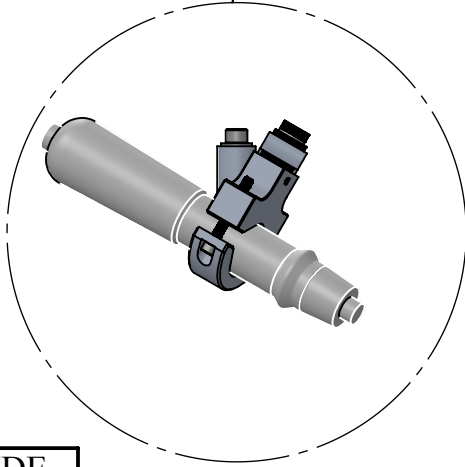
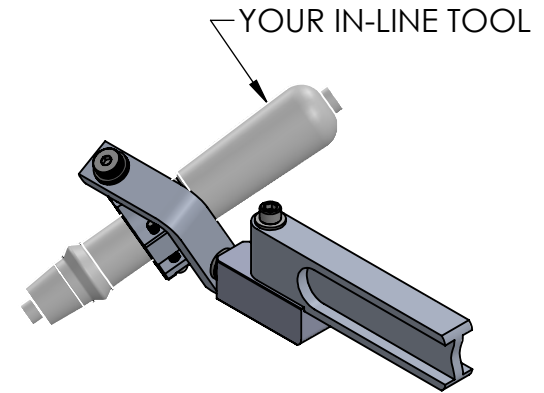


MODEL#: PA815-FR
TOOL HOLDER INCLUDED, FR-TH
For Fastening with customer's In-line or Pistol Air Tool at any angle, Vertical to Horizontal
MAX TORQUE: 400 in-lbs (45 N-m)
MAX. TOOLING WEIGHT: 13.6 LBS (6.1 KG)
COPYRIGHT © 2018 ERGONOMIC TOOL ARMS, LLC

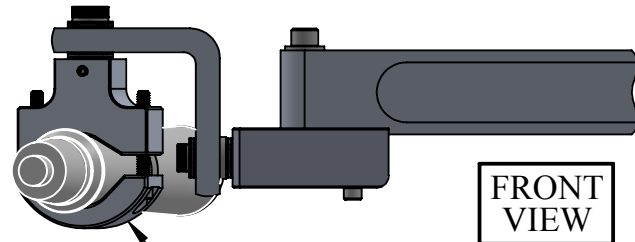
TOOL SWIVELS FREELY ON (2) AXIS  
ENABLING OPERATOR TO FASTEN  
AT ANY ANGLE WITHOUT FEELING  
ANY TORQUE REACTION



OVERHEAD  
VIEW



SIDE  
VIEW



FRONT  
VIEW

MINIMUM TOOL DIAMETER:  
1-1/8" (28.6mm)  
MAXIMUM TOOL DIAMETER:  
2.0" (50.8mm)



COPYRIGHT © 2017 ERGONOMIC TOOL ARMS, LLC

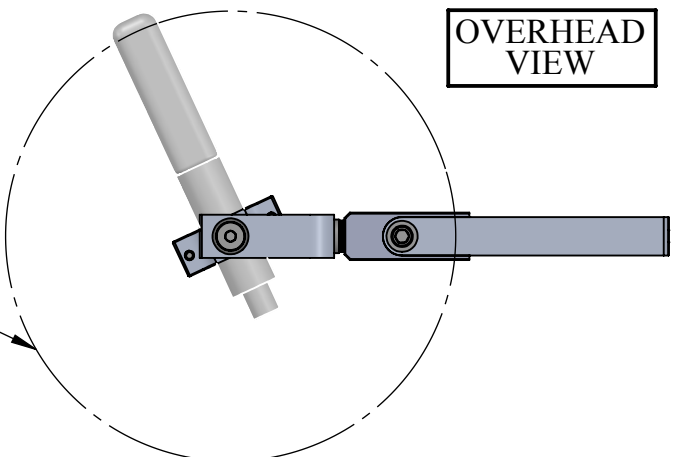
Model **FR-TH**  
**Flip & Rotate Tool Holder**

FOR VERTICAL OR HORIZONTAL FASTENING FOR IN-LINE OR PISTOL TOOL

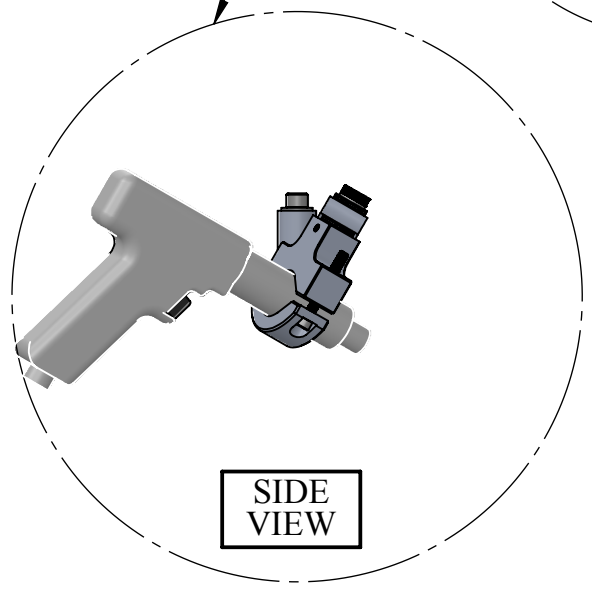
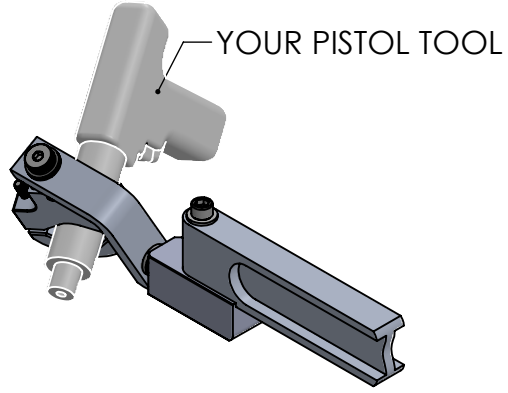
THIS DRAWING CONTAINS CONFIDENTIAL INFORMATION, IS THE PROPERTY OF ERGONOMIC TOOL ARMS, LLC AND IS GIVEN TO THE RECEIVER IN CONFIDENCE. THE RECEIVER BY RECEPTION AND RETENTION OF THIS DRAWING, ACCEPTS THE DRAWING IN CONFIDENCE AND AGREES THAT IT WILL NOT USE THE DRAWING OR A COPY THEREOF OR THE CONFIDENTIAL INFORMATION IT CONTAINS FOR THE PURPOSES OTHER THAN THAT INSTRUCTED BY ERGONOMIC TOOL ARMS, LLC, EITHER WRITTEN OR IMPLIED. THE RECEIVER AGREES, BY ACCEPTANCE AND RETENTION TO BE HELD LIABLE FOR MISUSE OF THIS DRAWING OR THE INFORMATION IT CONTAINS.



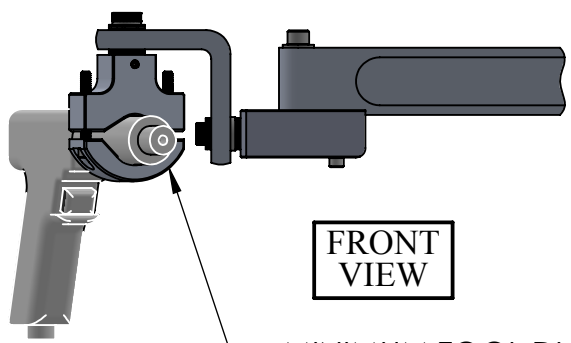
TOOL SWIVELS FREELY ON (2) AXIS  
 ENABLING OPERATOR TO FASTEN  
 AT ANY ANGLE WITHOUT FEELING  
 ANY TORQUE REACTION



OVERHEAD VIEW



SIDE VIEW



FRONT VIEW

MINIMUM TOOL DIAMETER:  
 1-1/8" (28.6mm)  
 MAXIMUM TOOL DIAMETER:  
 2.0" (50.8mm)

COPYRIGHT © 2017 ERGONOMIC TOOL ARMS, LLC

Model **FR-TH**  
**Flip & Rotate Tool Holder**

FOR VERTICAL OR HORIZONTAL FASTENING FOR IN-LINE OR PISTOL TOOL

THIS DRAWING CONTAINS CONFIDENTIAL INFORMATION, IS THE PROPERTY OF ERGONOMIC TOOL ARMS, LLC AND IS GIVEN TO THE RECEIVER IN CONFIDENCE. THE RECEIVER BY RECEPTION AND RETENTION OF THIS DRAWING, ACCEPTS THE DRAWING IN CONFIDENCE AND AGREES THAT IT WILL NOT USE THE DRAWING OR A COPY THEREOF OR THE CONFIDENTIAL INFORMATION IT CONTAINS FOR THE PURPOSES OTHER THAN THAT INSTRUCTED BY ERGONOMIC TOOL ARMS, LLC, EITHER WRITTEN OR IMPLIED. THE RECEIVER AGREES, BY ACCEPTANCE AND RETENTION TO BE HELD LIABLE FOR MISUSE OF THIS DRAWING OR THE INFORMATION IT CONTAINS.