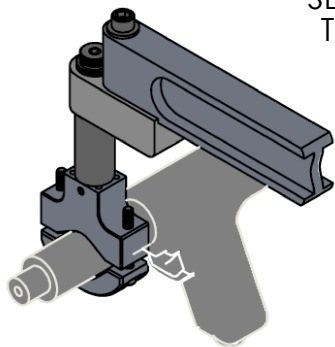
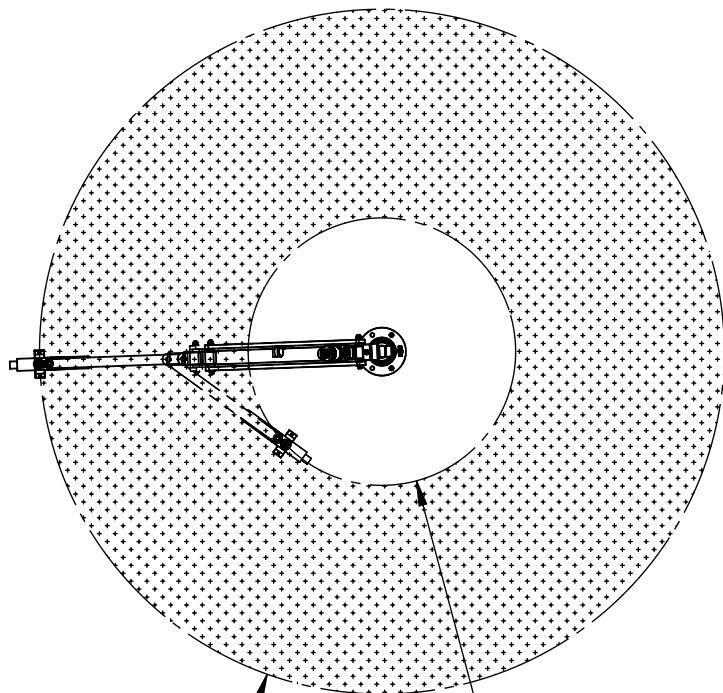


SEE PAGE 2 FOR
TOOL-HOLDER
DETAILS

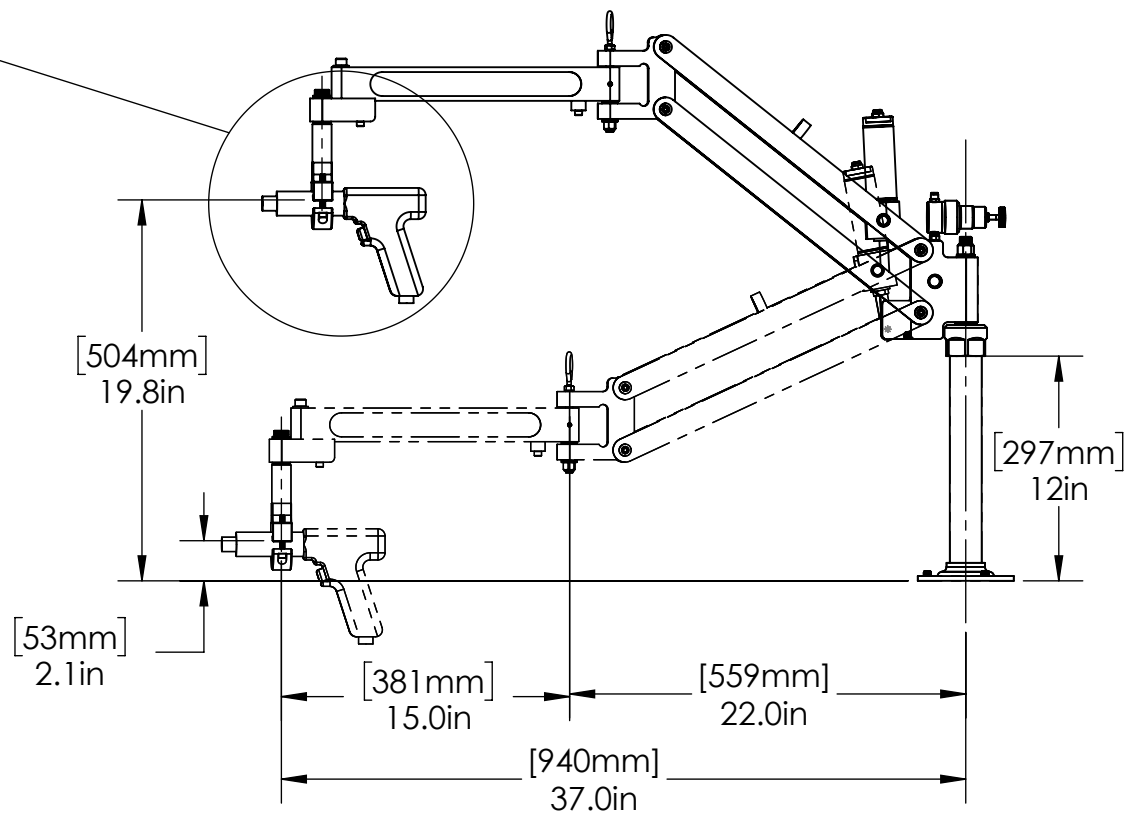


WORK AREA



[1880mm]
Ø 74in

MIN. REACH
[708mm]
Ø 28in



www.toolarms.com



MODEL#: PA815-PS

TOOL HOLDER INCLUDED, PS-TH

For HORIZONTAL Fastening with customer's In-line or Pistol Air Tool.

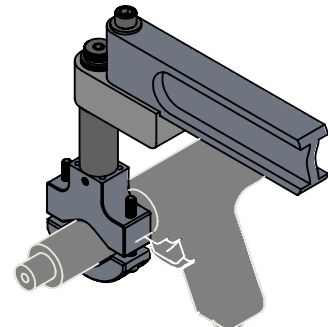
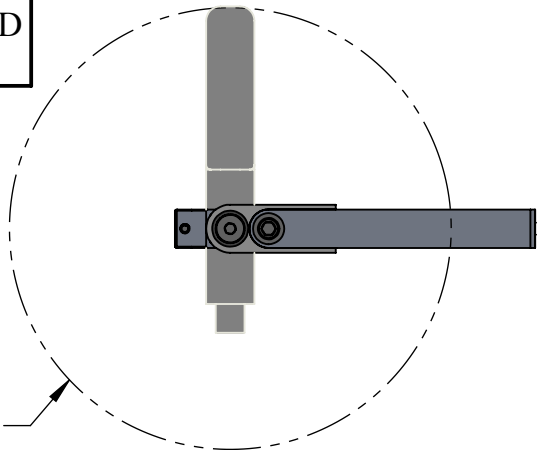
MAX TORQUE: 400 in-lbs (45 N-m)

MAX. TOOLING WEIGHT: 13.8 LBS (6.2 KG)

COPYRIGHT © 2018 ERGONOMIC TOOL ARMS, LLC

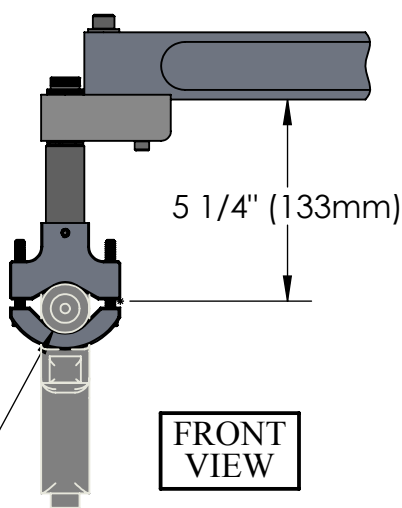
PS-TH

OVERHEAD VIEW

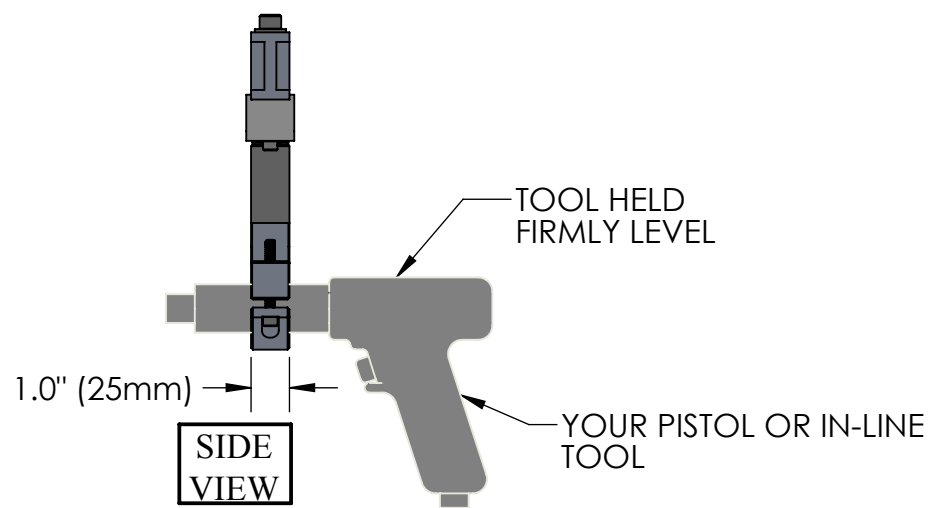


TOOL PIVOTS 360°

MINIMUM TOOL DIAMETER:
1-1/8" (28.6mm)
MAXIMUM TOOL DIAMETER:
2.0" (50.8mm)



FRONT VIEW



SIDE VIEW

COPYRIGHT © 2017 ERGONOMIC TOOL ARMS, LLC

Model **PS-TH**
Pistol Spin Tool Holder
FOR HORIZONTAL FASTENING

THIS DRAWING CONTAINS CONFIDENTIAL INFORMATION, IS THE PROPERTY OF ERGONOMIC TOOL ARMS, LLC AND IS GIVEN TO THE RECEIVER IN CONFIDENCE. THE RECEIVER BY RECEPTION AND RETENTION OF THIS DRAWING, ACCEPTS THE DRAWING IN CONFIDENCE AND AGREES THAT IT WILL NOT USE THE DRAWING OR A COPY THEREOF OR THE CONFIDENTIAL INFORMATION IT CONTAINS FOR THE PURPOSES OTHER THAN THAT INSTRUCTED BY ERGONOMIC TOOL ARMS, LLC, EITHER WRITTEN OR IMPLIED. THE RECEIVER AGREES, BY ACCEPTANCE AND RETENTION TO BE HELD LIABLE FOR MISUSE OF THIS DRAWING OR THE INFORMATION IT CONTAINS.