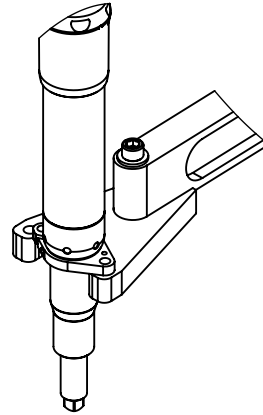
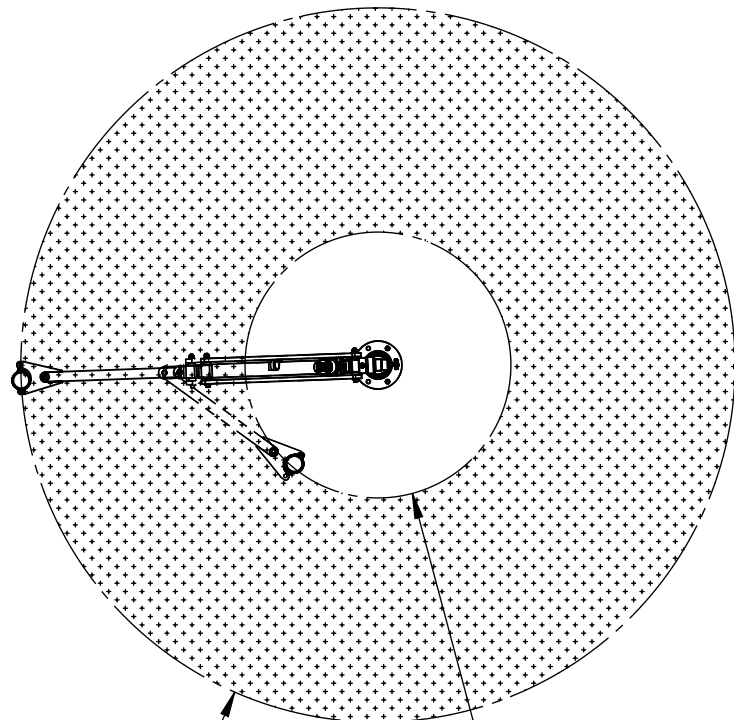


SEE PAGE 2 FOR
TOOL-HOLDER
DETAILS

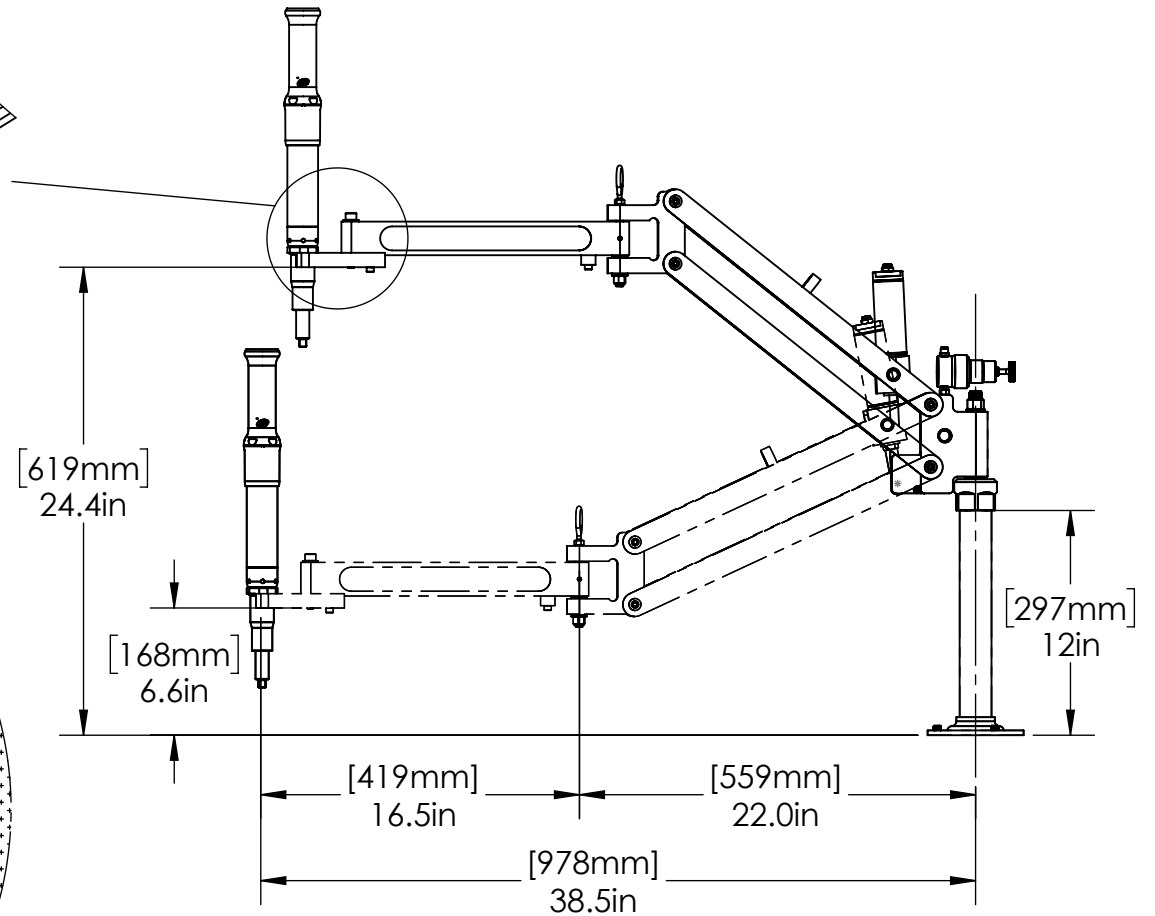


WORK AREA

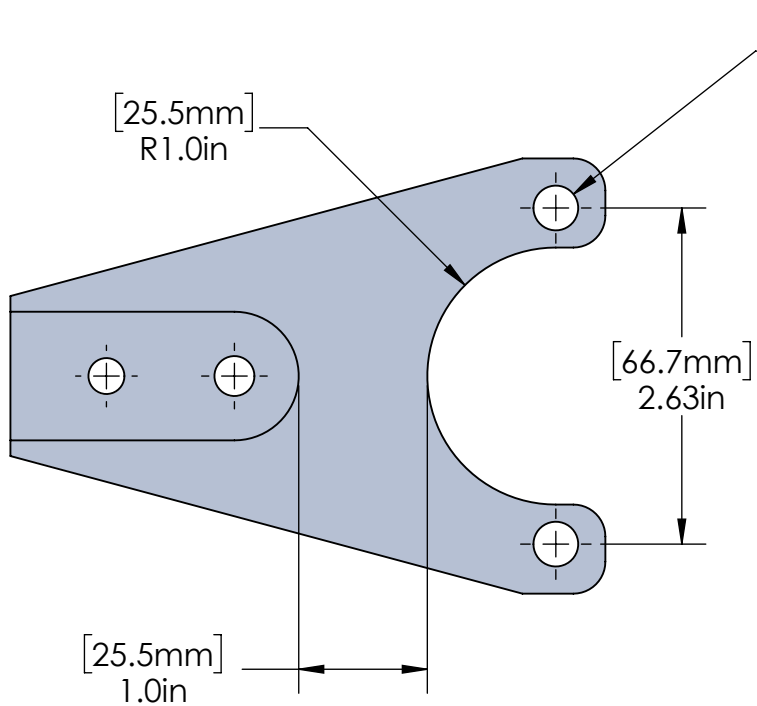


[1956mm]
Ø 77in

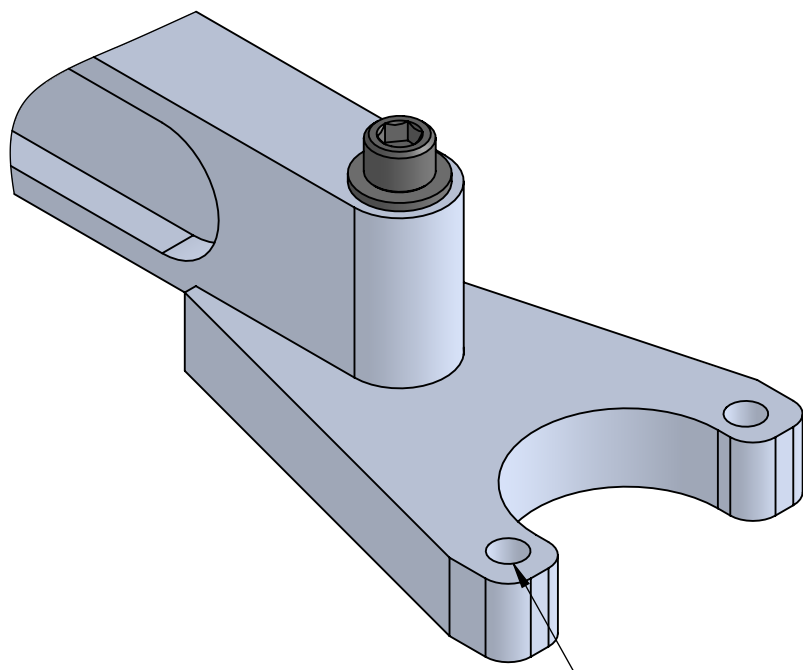
MIN. REACH
[703mm]
Ø 28in



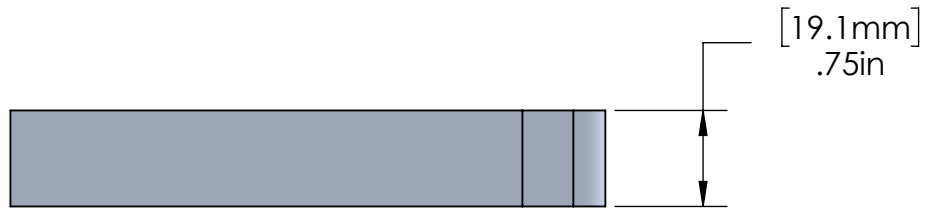
MODEL#: PA815-QA6
TOOL HOLDER INCLUDED, QE6-TH
For VERTICAL Fastening with Ingersoll-Rand QA6 In-line Flange Mount Air Tools having mounting holes 2.625" (66.7mm) on center. 3/8" ID Tool Hose.
MAX TORQUE: 800 in-lbs (90 N-m)
MAX. TOOLING WEIGHT: 14 LBS (6.3 KG)
COPYRIGHT © 2018 ERGONOMIC TOOL ARMS, LLC



\varnothing .35in [8.9mm]
THRU



CUSTOMER'S FLANGED
TOOL MOUNTS HERE



MODEL#: QE6-TH

Vertical Holder for Ingersoll-Rand QE6, QA6 and some QA4 In-line tools with 2 bolt mounting flange.

COPYRIGHT © 2018 ERGONOMIC TOOL ARMS, LLC