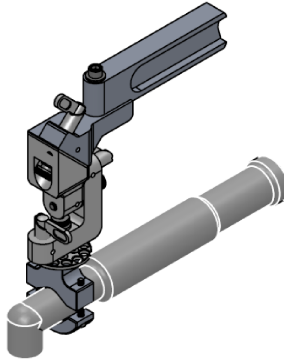
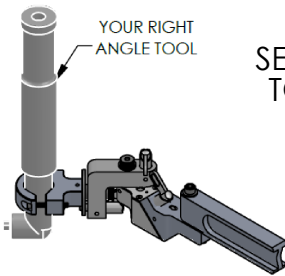


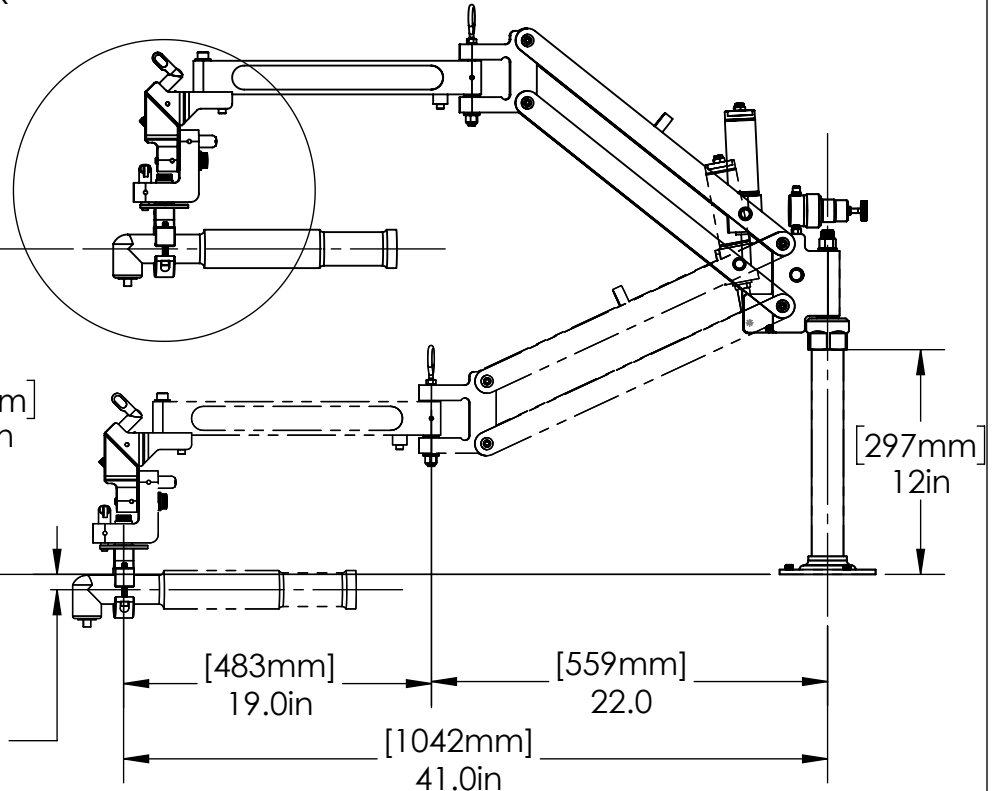
VERTICAL



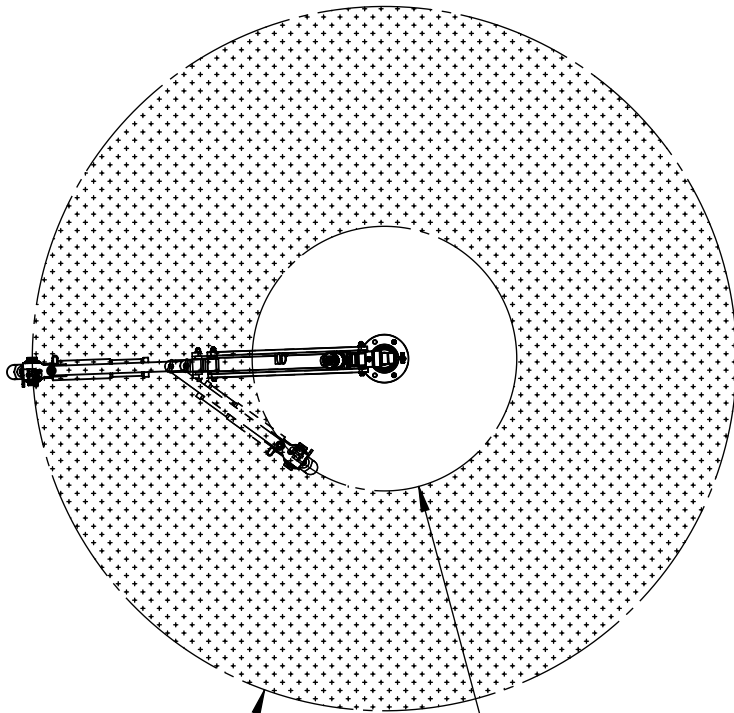
HORIZONTAL



SEE PAGE 2 FOR
TOOL-HOLDER
DETAILS



WORK AREA



[2083mm]
Ø 82in

MIN. REACH
[700mm]
Ø 28in

(-)

MODEL#: PA815-RAHV

TOOL HOLDER INCLUDED, RAHV-TH

Arm with tool holder that locks in both HORIZONTAL and VERTICAL orientation with customer's Right Angle Air Tool. Has indexable handle position.

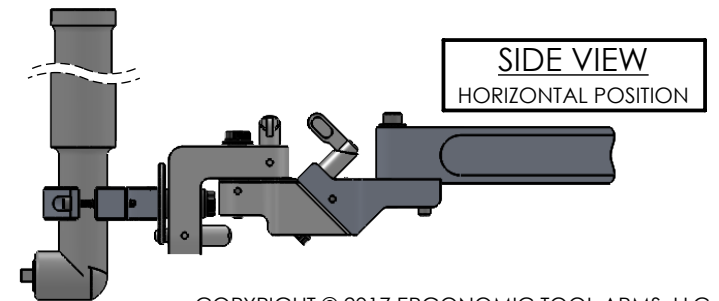
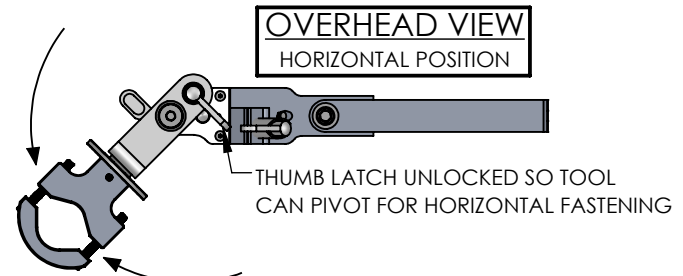
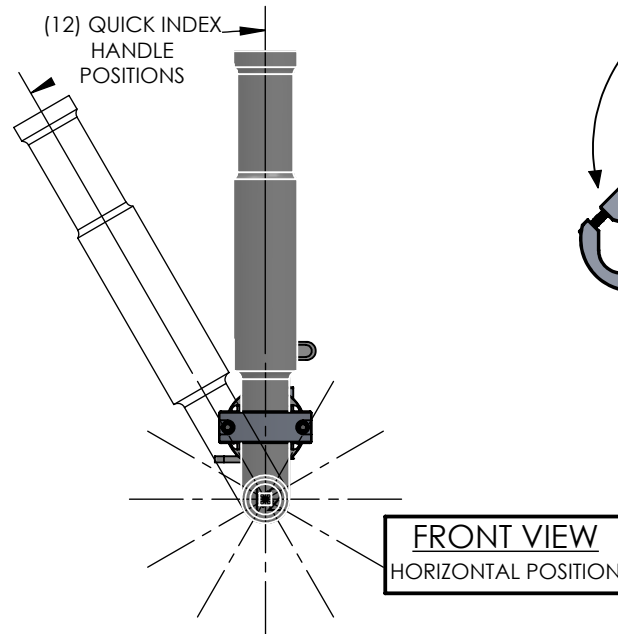
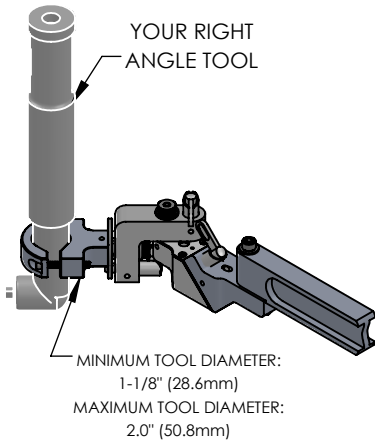
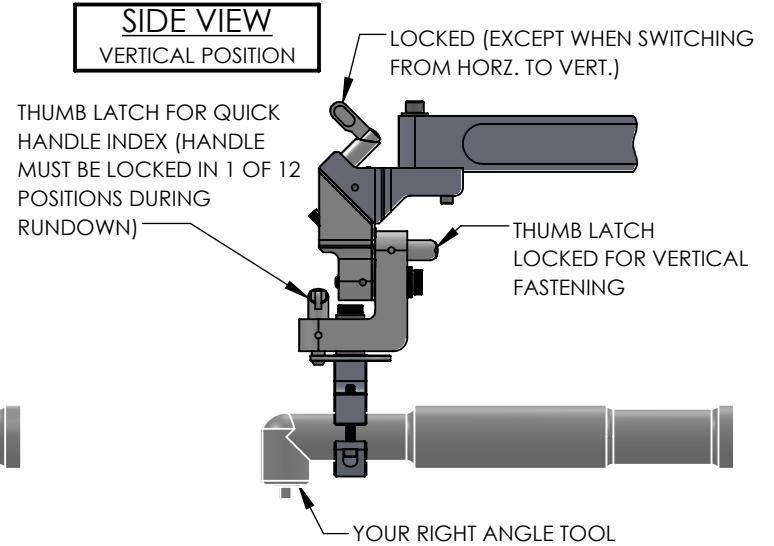
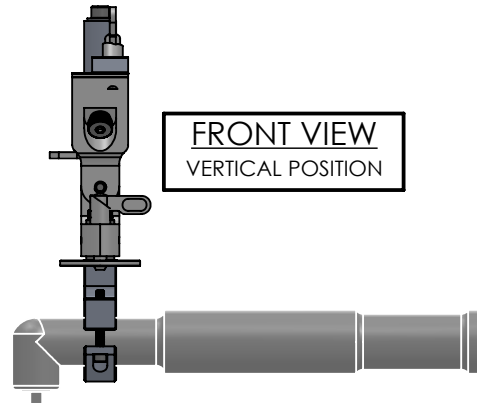
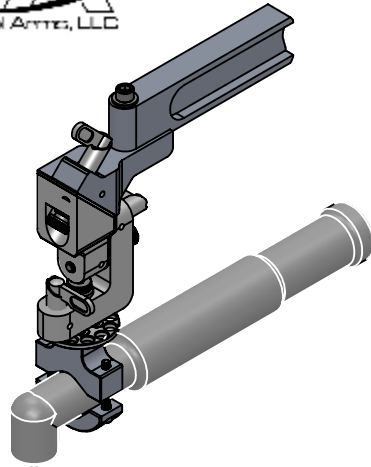
MAX TORQUE (HORIZONTAL): 400 in-lbs (45 N-m)
MAX TORQUE (VERTICAL): 800 in-lbs (90 N-m)

MAX. TOOLING WEIGHT: 11.25 LBS (5.1 KG)

COPYRIGHT © 2018 ERGONOMIC TOOL ARMS, LLC

www.toolarms.com





COPYRIGHT © 2017 ERGONOMIC TOOL ARMS, LLC

Model **RAHV-TH**
Right Angle Horizontal & Vertical Tool Holder
FOR HORIZONTAL & VERTICAL FASTENING

THIS DRAWING CONTAINS CONFIDENTIAL INFORMATION, IS THE PROPERTY OF ERGONOMIC TOOL ARMS, LLC AND IS GIVEN TO THE RECEIVER IN CONFIDENCE. THE RECEIVER BY RECEPTION AND RETENTION OF THIS DRAWING, ACCEPTS THE DRAWING IN CONFIDENCE AND AGREES THAT IT WILL NOT USE THE DRAWING OR A COPY THEREOF OR THE CONFIDENTIAL INFORMATION IT CONTAINS FOR THE PURPOSES OTHER THAN THAT INSTRUCTED BY ERGONOMIC TOOL ARMS, LLC, EITHER WRITTEN OR IMPLIED. THE RECEIVER AGREES, BY ACCEPTANCE AND RETENTION TO BE HELD LIABLE FOR MISUSE OF THIS DRAWING OR THE INFORMATION IT CONTAINS.