

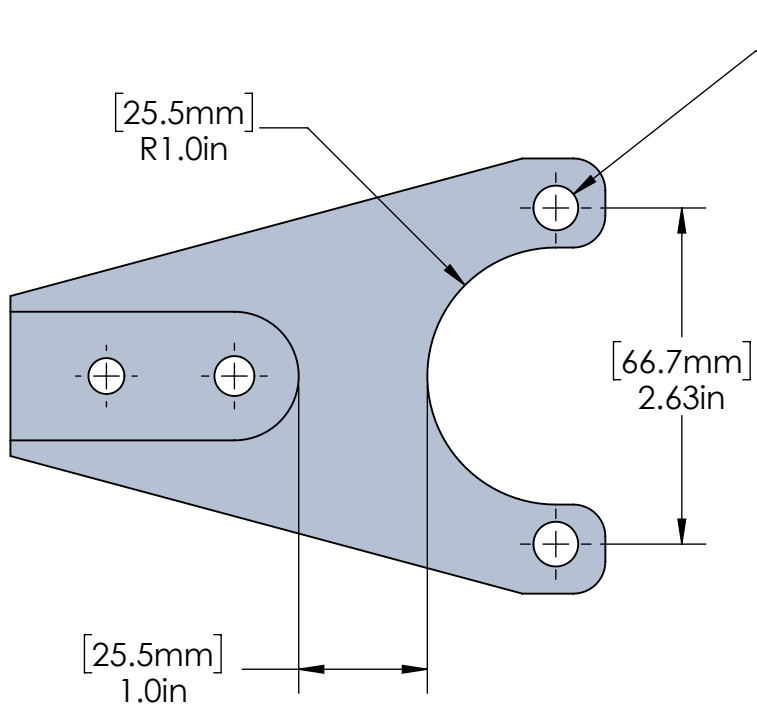
www.toolarms.com

ETA
Ergonomic Tool Arms, LLC

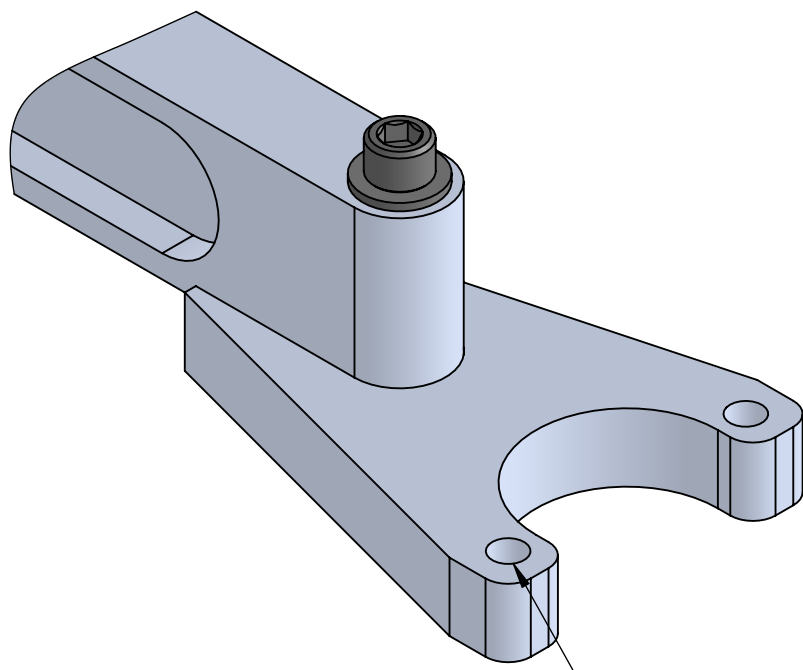
MODEL#: QE4-TH

Vertical Holder for Ingersoll-Rand QE4 In-line tools
with 2 bolt mounting flange.

COPYRIGHT © 2018 ERGONOMIC TOOL ARMS, LLC



$\varnothing .35\text{in}$ [8.9mm]
THRU



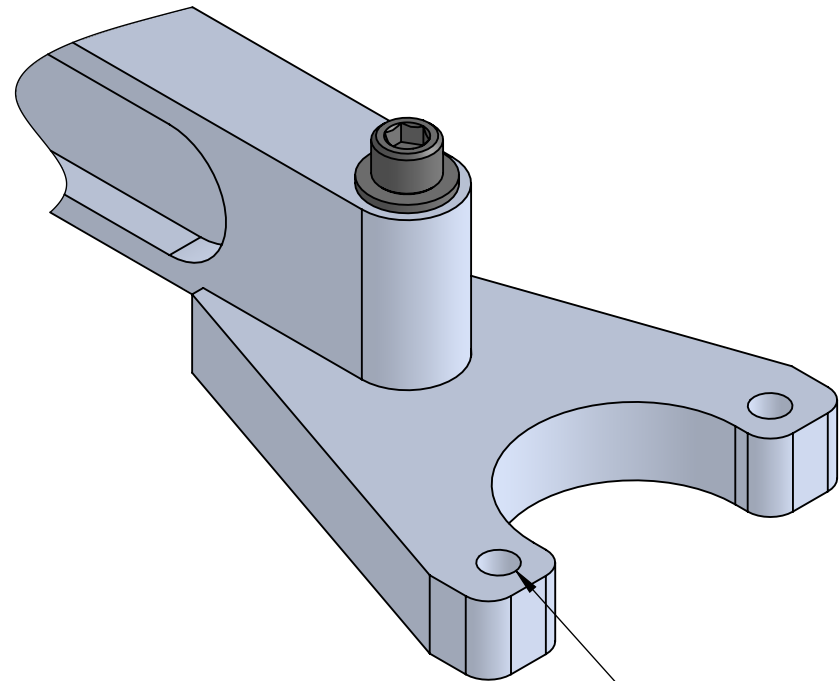
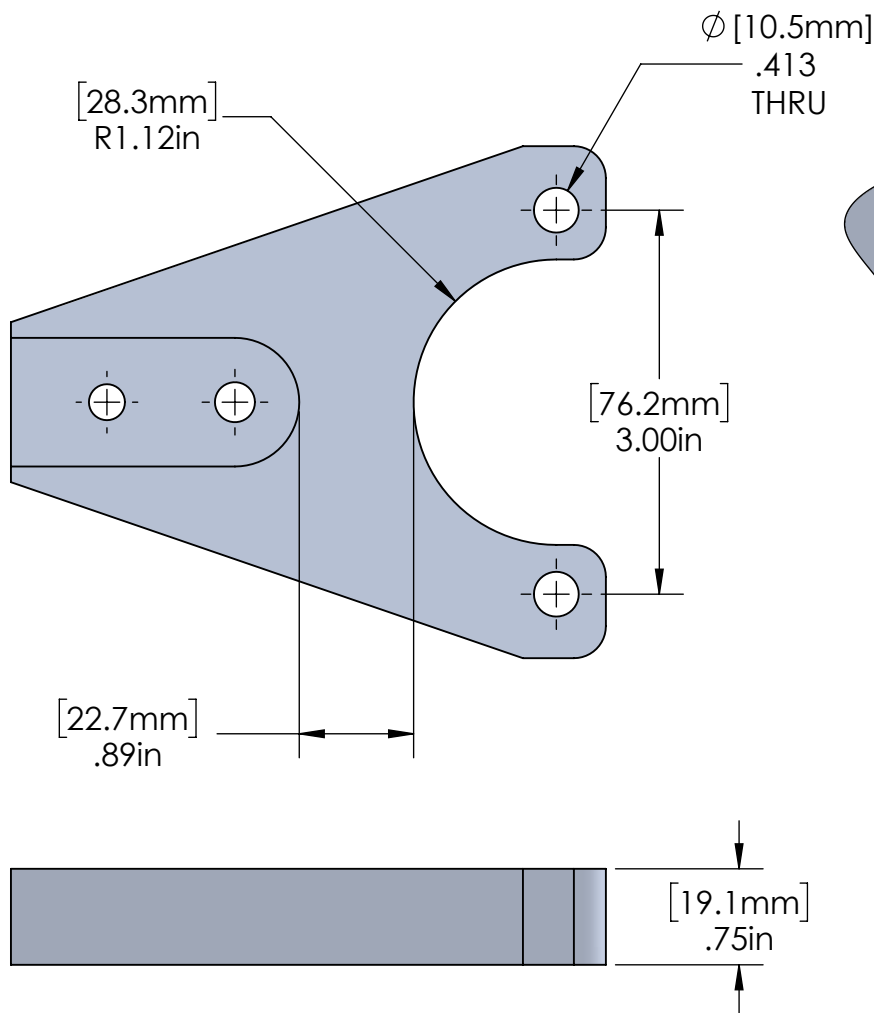
CUSTOMER'S FLANGED
TOOL MOUNTS HERE




MODEL#: QE6-TH

Vertical Holder for Ingersoll-Rand QE6, QA6 and some QA4 In-line tools with 2 bolt mounting flange.

COPYRIGHT © 2018 ERGONOMIC TOOL ARMS, LLC



CUSTOMER'S FLANGED
TOOL MOUNTS HERE

<p>www.toolarms.com</p>  <p>Ergonomic Tool Arms, LLC</p>	<p>MODEL#: QE8-TH</p> <hr/> <p>Vertical Holder for Ingersoll-Rand QE8 and QA8 In-line tools with 2 bolt mounting flange</p> <hr/> <p>COPYRIGHT © 2018 ERGONOMIC TOOL ARMS, LLC</p>
----------------------------------------------------------------------------------------------------------------------------------------------	------------------------------------------------------------------------------------------------------------------------------------------------------------------------------------