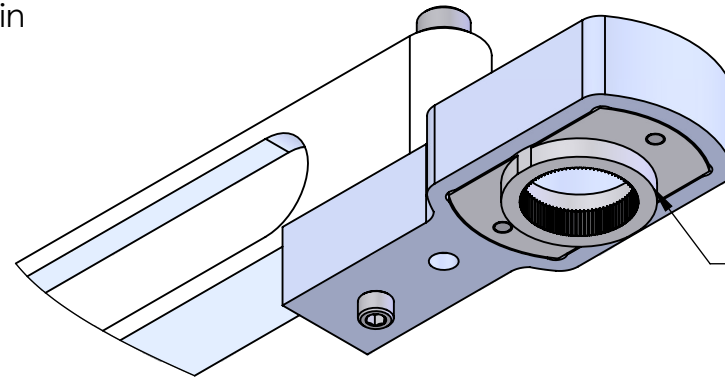
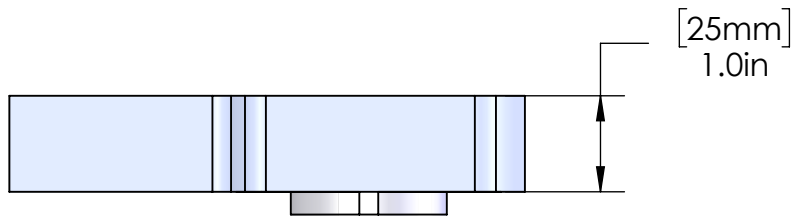
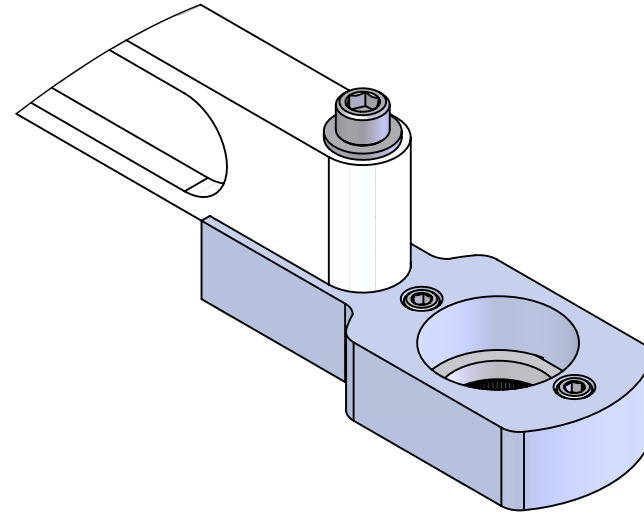
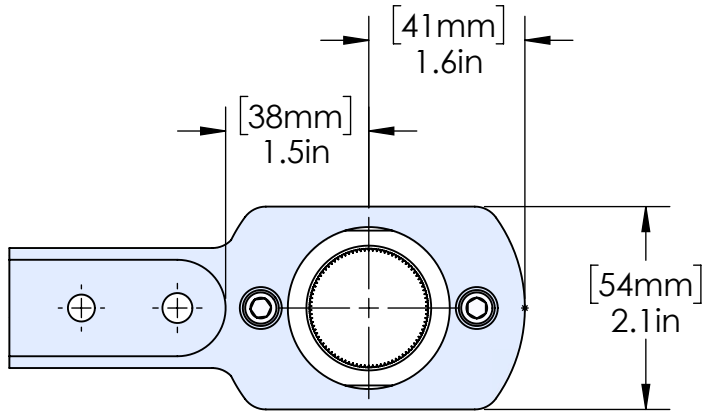


ST61-TH



www.toolarms.com

ETA
Ergonomic Tool Arms, LLC

MODEL#: ST61-TH

Vertical Holder for adapting Atlas Copco In-line DC electric tools to ETA arms. For Atlas Reaction Bar #4210 2134 02. Most Atlas reaction bars fit our ST61 adapter with minor machining by ETA (included with ST61-TH purchase).

COPYRIGHT © 2018 ERGONOMIC TOOL ARMS, LLC